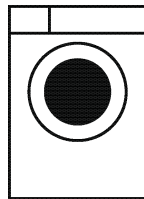
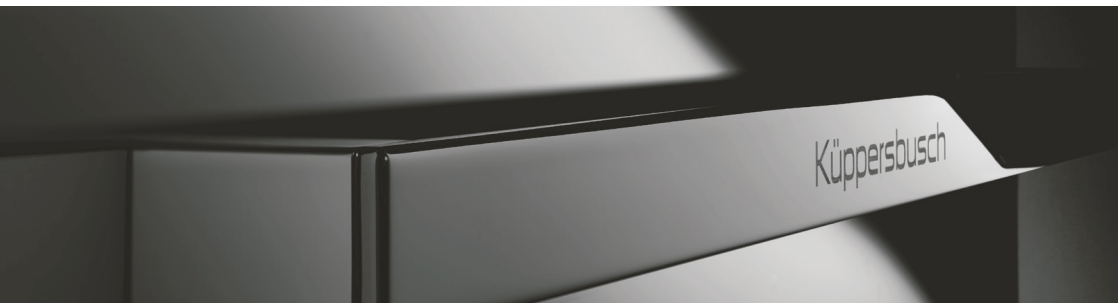


# INSTRUCTIONS FOR USE and installation



EN ES PT

WT6508.0v



Please read the users and installation instructions carefully before installation of the appliance and before starting to use it.

**Küppersbusch**  
FÜR KÜCHEN MIT STIL

# CONTENTS

---

## SAFETY INSTRUCTIONS

- Safety Instructions ..... 2

## INSTALLATION

- Product Description ..... 9
- Installation ..... 10

## OPERATION

- Quick Start ..... 13
- Before Each Washing ..... 15
- Detergent Dispenser ..... 16
- Control Panel ..... 18
- Programmes.....19
- Option..... 22

## MAINTENANCE

- Cleaning and Care ..... 26
- Trouble Shooting ..... 29
- Technical Specifications ..... 30
- Product Fiche ..... 31
- Built-in installation ..... 33

# SAFETY INSTRUCTIONS

---

## ■ Safety Instructions

Please read the following safety information thoroughly and follow it strictly to minimize the risk of fire or explosion, electric shock and to prevent property damage, personal injury or loss of life. Failing to follow these instructions shall void any warranty.

### Warning!

This combination of symbol and signal word indicates a potentially dangerous situation which may result in death or serious injuries unless it's avoided.

### Caution!

This combination of symbol and signal word indicates a potentially dangerous situation which may result in slight or minor injuries or damage to property and the environment.

### Note!

This combination of symbol and signal word indicates a potentially dangerous situation which may result in slight or minor injuries.

### Warning!

#### ELECTRIC SHOCK HAZARD

- If the supply cord is damaged, it must be replaced by the manufacturer, its service agent or similarly qualified persons in order to avoid a hazard.
  - If the machine is damaged, it must not be operated unless repaired by the manufacturer, its service agent or similarly qualified persons.
- Risk of electric shock!

# SAFETY INSTRUCTIONS

---

- The appliance can be used by children aged from 8 years and above and persons with reduced physical, sensory or mental capabilities or lack of experience and knowledge if they have been given supervision or instruction concerning use of the appliance in a safe way and understand the hazards involved. Children shall not play with the appliance. Cleaning and user maintenance shall not be made by children without supervision.
- Children should be supervised that they do not play with the appliance.
- Children 3 years and under shall be kept away from the appliance or continuously supervised.
- Animals and children may climb into the machine. Check the machine before every operation.
- Do not climb or sit on the appliance.

## INSTALLATION LOCATION AND SURROUNDING

- All washing and additional substances are to be kept in a safe place out of the reach of children.
- Do not install the machine on a carpet floor. The obstruction of the openings by a carpet can damage the machine.
- Keep the appliance clear from heating sources and direct sunlight to avoid plastic and rubber parts to corrode.
- Do not use the appliance in humid environments or rooms containing explosive or caustic gas. In case of water leakage or water splashes let the appliance dry in the open air.
- The appliance must not be installed behind a lockable door, a sliding door or a door with a hinge on the opposite side to that of the washer dryer.

# SAFETY INSTRUCTIONS

---

- Do not operate the machine in rooms with a temperature of below 5°C. This can cause damages to parts of it. If it is unavoidable, make sure to drain the water completely from the appliance after every use (see „Maintenance - Cleaning of drain pump filter“) to avoid damages caused by frost.
- Never use flammable sprays or substances in the immediate proximity of the appliance.

## INSTALLATION

- Remove all packaging material and transport bolts before using the appliance. Otherwise, serious damage may result.
- This appliance is equipped with a single inlet valve and can be connected to the cold water supply only.
- Mains plug must be accessible after installation.
- Before washing clothes for the first time, the product shall be operated once throughout all the procedures without any clothes inside.
- Before using the washer dryer, the product shall be calibrated.
- Do not put any excessively heavy objects on the appliance, like water containers or heating devices.
- The new hose-sets supplied with the appliance are to be used and that old hose-sets should not be reused.
- Max. Inlet water pressure 1 MPa. Min. inlet water pressure 0.05 MPa.

## ELECTRICAL CONNECTION

- Make sure the supply cable is not trapped by the machine, it can get damaged.
- Connect the product to a grounded outlet protected by a fuse complying with the values in the “ Technical specifications “ table. The grounding installation has to be made by a qualified electrician. Ensure that the machine is installed in accordance with the local regulations.

# SAFETY INSTRUCTIONS

---

•Water and electrical connections must be carried out by a qualified technician in accordance with the manufacturer's instructions and local safety regulations.

## Warning!

- Don't use multiple plugs or extension cords.
- The appliance must not have an external switching device such as a timer or connected to a circuit that is regularly switched on and off.
- Do not pull the plug out of the mains outlet if there is flammable gas around.
- Never pull out power plug with wet hands.
- Always pull at the plug, not at the cable.
- Always unplug the appliance if it is not being used.

## WATER CONNECTIONS

- Check the connections of the water inlet tubes, the water tap and the outlet hose for possible problems due to changes of water pressure. If the connections loosen or leak close the water tap and get it repaired. Do not use the appliance before the pipes and hoses are installed properly by qualified persons.
- Glass door may become very hot during the operation. Keep children and pets far away from the machine while it is operating.
- The water inlet and outlet hoses have to be safely installed and remain undamaged. Otherwise, water leakage can occur.
- Do not remove the drain pump filter while there is still water in the appliance. Big quantities of water can leak out, and there is a risk of scalding due to hot water.

# SAFETY INSTRUCTIONS

---

## OPERATION AND MAINTENANCE

### Warning!

- Never stop the washer dryer before the end of the drying cycle unless all items are quickly removed and spread out so that the heat can dissipate.
- The washer dryer is not to be used if industrial chemicals have been used for cleaning. Risk of explosion.

- Never use any flammable, explosive or toxic solvents. Do not use gasoline and alcohol etc. as detergents. Only select detergents that are suitable for machine washing.
- Make sure that all pockets are emptied. Sharp and rigid items such as coins, brooches, nails, screws, stones etc. may cause serious damages to this machine.
- Remove all objects from pockets such as lighters and matches before use the appliance.
- Thoroughly rinse items that have been washed by hand.
- Do not dry unwashed items in the appliance.
- Items that have been soiled with substances such as cooking oil, acetone, alcohol, petrol, kerosene, spot removers, turpentine, wax and wax removers should be washed in hot with an extra amount of detergent before being dried in the appliance.
- Items containing foam rubber (latex foam), shower caps, water proof textiles, rubber backed articles and clothes or pillows fitted with foam rubber pads should not be dried in the machine
- Fabric softeners or similar products should be used as recommended in their instructions.
- Never try to open the door forcefully. The door will unlock shortly after the end of a cycle.
- Please do not close the door with excessive force. If it is found difficult to close the door, please check if the clothes are properly inserted and distributed.

# SAFETY INSTRUCTIONS

---

- Always unplug the appliance and close the water tap before cleaning and maintenance and after each use.
- Never pour water over the appliance for cleaning purpose. Risk of electric shock!
- Repairs shall only be carried out by the manufacturer, its service agent or similarly qualified persons in order to avoid a hazard. The producer will not be responsible for damages caused by the intervention of not authorized persons.

## TRANSPORT

- Before Transport:
  - Bolts shall be reinstalled to the machine by a specialized person
  - Accumulated water shall be drained out of the machine
- This appliance is heavy. Transport with care. Never hold any protruding part of the machine when lifting. The machine door cannot be used as a handle.

## INTENDED USE

The product is intended only for home use and for textiles in household amounts suitable for machine washing and drying. This appliance is for indoor use only and not intended for built in use. Only use according to these instructions. The appliance is not intended for commercial use.

Any other use is considered as improper use. The producer is not responsible for any damage or injuries that may result of it.

- This appliance is intended to be used in household and similar applications such as:
  - Staff kitchen areas in shops, offices and other working environments;
  - Farm houses;
  - By clients in hotels, motels and other residential type environments;
  - Bed and breakfast type environments;
  - Areas for communal use in blocks of flats or in launderettes.



# SAFETY INSTRUCTIONS

---

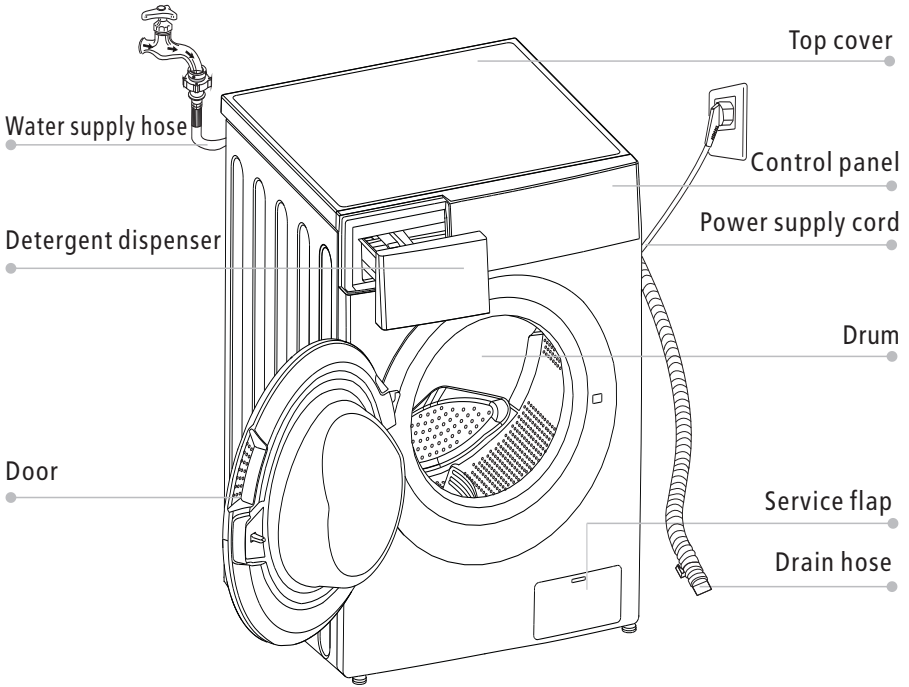
## Packaging/Old appliance



This marking indicates that this product should not be disposed with other household wastes throughout the EU. To prevent possible harm to the environment or human health from uncontrolled waste disposal, recycle it responsibly to promote the sustainable reuse of material resources. To return your used device, please use the collection systems or contact the retailer where the product was purchased. They return and can take this product for environmental safe recycling.

# INSTALLATION

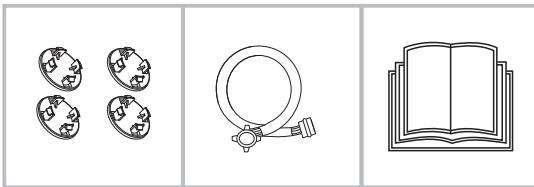
## ■ Product Description



### Note!

- The product picture is for illustration only, please refer to real product as reference.

## Accessories



4 x Cover caps

1 x Supply hose  
cold water

1 x Owner's manual

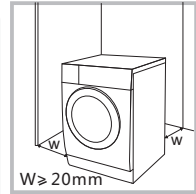
# INSTALLATION

## ■ Installation

### Installation area

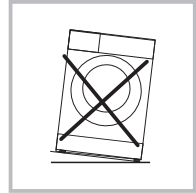
#### ⚠ Warning!

- Stability is important to prevent the product from wandering! Make sure the machine is standing leveled and stable.
- Make sure that the product does not stand onto the power cord.
- Make sure to maintain the minimum distances from the walls as shown in the picture



Before installing the machine, the location characterized as follows shall be selected:

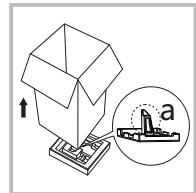
1. Rigid, dry, and level surface
2. Avoid direct sunlight
3. Sufficient ventilation
4. Room temperature is above 0°C
5. Keep far away from the heat sources such as coal or gas burning appliances.



### Unpacking the washer dryer

#### ⚠ Warning!

- Packaging material (e.g. Films, Styrofoam) can be dangerous for children.
- There is a risk of suffocation ! Keep all packaging well away from children.



1. Remove the cardboard box and styrofoam packing.
2. Lift the washer dryer and remove the base packaging. Make sure the small triangle foam (a) is removed with the bottom packaging together. If not, lay the unit down on the side surface and remove it manually.
3. Remove the tape securing the power supply cord and drain hose.
4. Remove the inlet hose from the drum.

# INSTALLATION

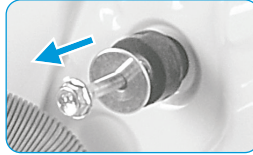
## Remove transport bolts

### ⚠ Warning!

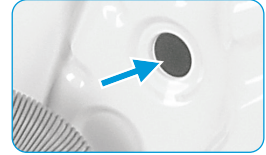
- You must remove the transport bolts from the backside before using the product.



Loosen the 4 transport bolts with a spanner.



Remove the bolts including the rubber parts and keep them for future use.

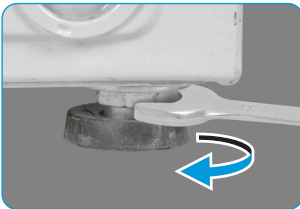


Close the holes using the cover caps.

## Levelling the washer dryer

### ⚠ Warning!

- The lock nuts on all four feet must be screwed tightly against the housing.



1. Loosen the lock nut.
2. Turn the foot until it reaches the floor.
3. Adjust the legs and lock the nuts with a spanner. Make sure the machine is level and steady.

## Connect the water supply hose

### ⚠ Warning!

To prevent leakage or water damage, follow the instructions in this chapter

- Do not kink, crush or modify water inlet hose.



Connect the water supply hose to the water inlet valve and a water tap with cold water as indicated.



### 🔩 Note!

- Connect manually, do not use tools. Check if the connections are tight.

# INSTALLATION

---

## Drain Hose

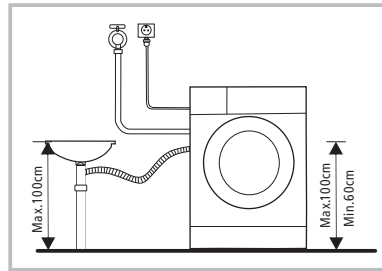
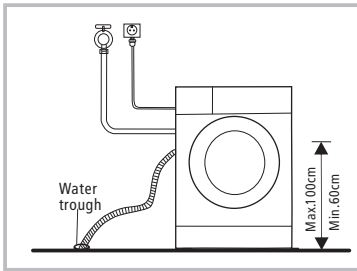
### ⚠ Warning!

- Do not kink or protract the drain hose.
- Position drain hose properly ,otherwise damage might result of water leakage.

There are two ways to place the end of drain hose:

1.Put it into the water trough.

2.Connect it to the branch drain pipe of the trough.



# OPERATION

---

## ■ Quick Start

### ⚠ Caution!

- Before washing, please make sure the washer dryer is installed properly.
- Your appliance was thoroughly checked before it left the factory. To remove any residual water and to neutralize potential odors, it's recommended to clean your appliance before first use. For this reason, start the Cotton program at 90°C without laundry and detergent.

### 📌 Calibration

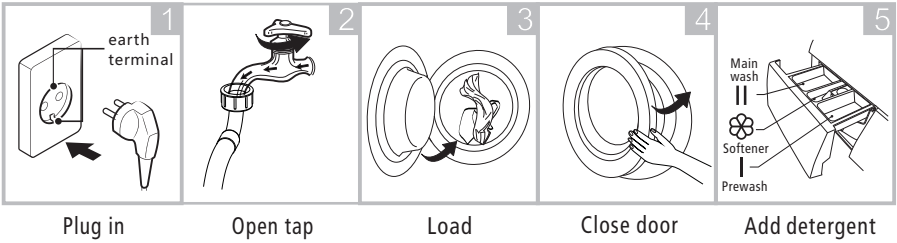
It's recommended to calibrate the washer dryer, so that provide the best performance.

The appliance is able to detect the amount of laundry loaded. This function is optimizing the product performance by minimizing energy and water consumption, saving you money and time. For this reason it's recommended to calibrate the appliance for best use.

- 1- Remove all accessories from the drum and close the door;
- 2- Insert the mains plug to the socket;
- 3- Switch on the washer dryer and press "Speed" and "Delay" simultaneously for 10 seconds until "t19" is displayed;
- 4- Press [▷||] to start the appliance and wait till "\*\*\*\*\*" is displayed.

# OPERATION

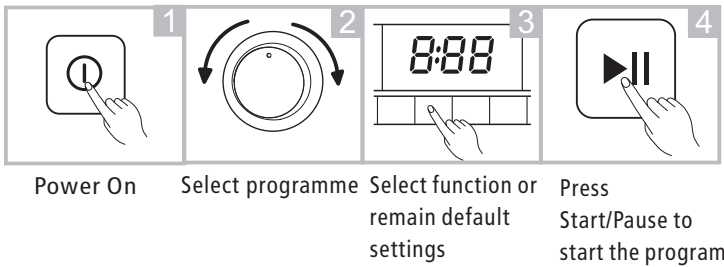
## 1. Before Washing



### Note!

- Detergent need to be added in compartment I if the pre-wash function is selected.

## 2. Washing



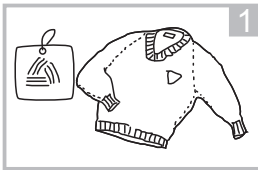
## 3. After Washing

Buzzer beep and "End" on display.

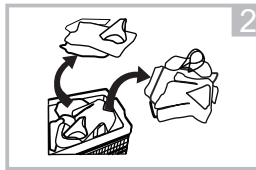
# OPERATION

## ■ Before Each Washing

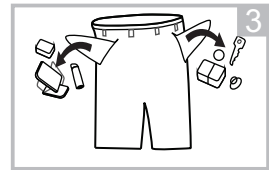
- The ambient temperature of the washer dryer should be 5-40°C. If used under 0°C, the inlet valve and draining system may be damaged. If the machine is installed under freezing conditions, it should be transferred to normal ambient temperature to ensure the water supply hose and drain hose can unfreeze before use.
- Please check your laundry care labels and the detergent use instructions before wash. Use non-foaming or less-foaming detergent suitable for machine washing properly.



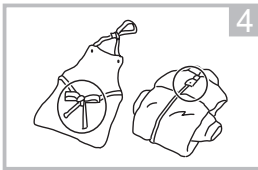
Check the care label



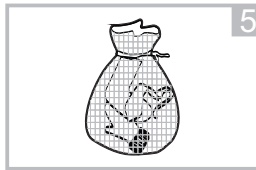
Sort laundry according to color and textile type



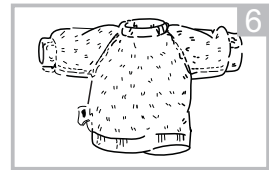
Take all items out of the pockets



Tie together long textile strips and belts, close zips and button



Put small items into a laundry bag



Turn easy-pilling and long-pile fabric inside out

### ⚠ Warning!

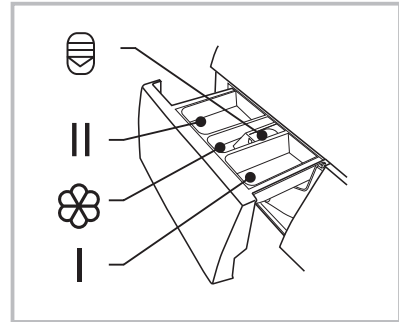
- Do not wash or dry articles that have been cleaned in, washed in, soaked in, or dabbed with combustible or explosive substances like wax, oil, paint, gasoline, alcohol, kerosene, and other flammable materials.
- Washing single clothes items may easily create big eccentricity and cause alarm due to unbalance. Therefore it is suggested to add one or two more laundry items to the wash so that spin can be done smoothly.



# OPERATION

## ■ Detergent Dispenser

- I Pre wash
- II Main wash
- ☼ Softener
- ⊖ Release button to pull out the dispenser



### ⚠ Caution!

- Detergent only need to be added in "compartment I "after selecting pre-wash function.

Programme	I	II	☼	Programme	I	II	☼
Cotton		●	○	Dry Only			
1 Hour W/D		●	○	Spin Only			
Jeans		●	○	Quick		●	○
Mix		●	○	Sport Wear		●	○
Wool		●	○	Baby Care		●	○
Rinse&Spin			○	Wash and Dry		●	○
ECO 40-60		●	○	Intensive		●	○
20°C		●	○				

# OPERATION

## Detergent Recommendation

Recommended washing detergent	Wash cycles	Washing temp.	Type of laundry and textile
Heavy-duty detergent with bleaching agents and optical brighteners	Cotton, ECO 40-60, Intensive	40/60	White laundry made from boil-proof cotton or linen
Colour detergent without bleaching agent and optical brighteners	Intensive, Cotton, ECO 40-60, Mix, 20°C	20/30/40	Coloured laundry made from cotton or linen
Color or mild detergent without optical brighteners	20°C	Cold/20	Coloured laundry made from easy care fibres or synthetic materials
Mild washing detergent	20°C	Cold/20	Delicate textiles, silk, viscose
Special wool detergent	Wool	20/30/40	Wool

### Note!

- Agglomerating or ropy detergent or additive can be diluted in some water before pouring it into the detergent dispenser, to avoid its inlet to get blocked and thus cause a water overflow.
- Please choose the suitable type of detergent to get a maximum of washing performance and a minimum of water and energy consumption
- To achieve the best cleaning result a proper detergent dosing is important.
- Use a reduced detergent amount if the drum is not filled completely.
- Always adjust the amount of detergent to the water hardness, if your tap water is soft, use less detergent.
- Dose according to how dirty your laundry is, less dirty clothes require less detergent.
- Highly concentrated (compact detergent) requires particularly accurate dosing.

Following symptoms are a sign of detergent overdosing:

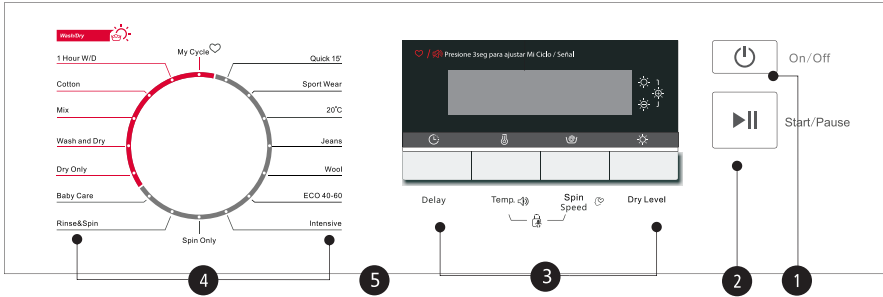
- heavy foam formation
- poor washing and rinsing result

Following symptoms are a sign of detergent underdosing:

- laundry turns grey
- built-up of limescale deposits on the drum, the heating element and/or the laundry

# OPERATION

## ■ Control Panel



### 1 On/Off

Turn the appliance on and off.

### 2 Start/Pause

Start or pause your programme.

### 3 Option

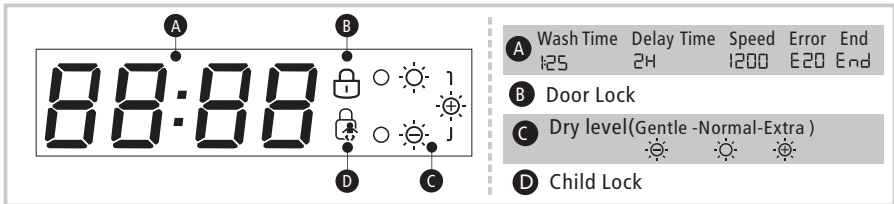
This allows you to select additional functions and will light when selected.

### 4 Programmes

Available according to the laundry type.

### 5 Display

The display shows settings, estimated remaining time, options and status messages.



# OPERATION

## ■ Programmes

Model:WT6508.0v

Programme	Washing/Drying Load (kg)	Display Time(H)
	8.0	8.0
		1400
Quick	2.0	0:15
Sport Wear	4.0	1:11
20°C	4.0	1:01
Jeans	8.0	1:45
Wool	2.0	1:07
ECO 40-60	8.0	3:35
Intensive	8.0	3:48
Spin only	8.0	0:12
Rinse&Spin	8.0	0:20
Baby care	8.0	1:43
☀ Dry Only	6.0	4:14
☀ Wash and Dry	8.0/6.0	5:00
☀ Mix	8.0/6.0	1:20
☀ Cotton	8.0/6.0	3:49
☀ 1Hour W/D	1.0/1.0	0:58



### Note!

- The parameters in this table are only for user's reference. The actual parameters maybe different with the parameters in above mentioned table.
- The programme with ☀ can be chosen dry function.

# OPERATION

## ■ Programmes

WT6508.0v							
Cycle	Nominal capacity in kg	Temperature setting	Cycle duration in hours and minutes	Energy consumption in kWh/operalling cycle	Water consumption in liter//operalling cycle	Highest temperature ature °C <sup>1)</sup>	residual moisure in % /spin speed <sup>2)</sup>
Quick 15	2.0	cold	0:15	0.030	40.0	Cold	70%/800
20°C	4.0	20	1:01	0.183	44.0	20	65%/1000
Intensive	8.0	40	3:48	1.013	71.0	40	70%/800
Mix	8.0	40	1:20	0.754	71.0	40	70%/800
Cotton	8.0	60	3:54	1.515	71.0	60	53%/1400
ECO 40-60 <sup>3)</sup>	8.0	-	3:38	0.871	64.0	38	53%/1400
	4.0	-	2:48	0.530	46.3	38	53%/1400
	2.0	-	2:48	0.205	33.4	21	53%/1400
Wash and Dry	6.0	-	9:30	4.400	108.4	39	0%/1400
	3.0	-	6:40	2.400	63.5	27	0%/1400

- The above data is for reference only, and the data may change due to different actual use conditions.
- The valves given for programmes other than the ECO 40-60 programme and the Wash and Dry cycle are indicative only.
- Concerning to EN 60456:2016 With (EU)No.1061/2010,  
The EU energy efficiency class is: A  
Energy test program: Intensive;Speed:The highest speed; Temp.: 60/40°C; Other as the default.  
Half load for 8.0kg machine:4.0kg.
- Concerning to EN 60456:2016/prA2019 With (EU)2019/2014, (EU)2019/2023,  
The EU Wash energy efficiency class is B, Energy test program: ECO 40-60;  
The EU Wash and dry energy efficiency class is E,Energy test program: Wash and Dry;  
Extra Dry. Other as the default. Half load for 8.0kg machine:4.0kg.  
Quarter load for 8.0kg machine:2.0kg.

# OPERATION

---

- 1) The highest temperature reached by the laundry in the wash cycle for at least 5 minutes.
- 2) Residual moisture after the wash cycle in water content percent and the spin speed at which this was achieved.
- 3) The ECO 40-60 programme is able to clean normally soiled cotton laundry declared to be washable at 40°C or 60°C, together in the same cycle. This programme is used to assess the compliance with the regulation (EU) 2019/2023.
- 4) The Wash and Dry programme, dry level setting ☀ Extra Dry is able to clean normally soiled cotton laundry declared to be washable at 40°C or 60°C, together in the same cycle, and to dry it in such a way that it can be immediately stored in a cupboard. This programme is used to assess the compliance with the regulation (EU) 2019/2023.

The most efficient programmes in terms of energy consumption are generally those that perform at lower temperatures and longer duration.

Loading the household washer-dryer up to the capacity indicated for the respective programmes will contribute to energy and water savings.

Noise and remaining moisture content are influenced by the spinning speed: the higher the spinning speed in the spinning phase, the higher the noise and the lower the remaining moisture content.

## ⓘ Caution!

- If there is any break in the power supply while the machine is operating, a special memory stores the selected programme. The machine will continue the programme when the power supply is re-established.

# OPERATION

---

## ■ Programmes

Programmes are available according to the laundry type.

Programmes	
Cotton	Hard-wearing textiles, heat-resistant textiles made of cotton or linen.
Baby Care	Washing the baby's clothes, it can make the baby's wear cleaner and make the rinse performance better to protect the baby skin.
Jeans	Specially for jeans.
Mix	Mixed load consisting of textiles made of cotton and synthetics.
Sport Wear	Washing the activewear.
Quick	Extra short programme approx, suitable for lightly soiled washing as a small amounts of laundry.
Wool	Hand or machine-washable wool or richwool textiles. Especially gentle wash programme to prevent shrinkage, longer programme pauses (textiles rest in wash liquor).
Spin Only	Extra spin with selectable spin speed.
Rinse&Spin	Extra rinse with spin.
Dry Only	Select it to dry clothes, the temperature is different .The drying time according to the load .
1 Hour W/D	For small synthetic clothes or shirts, load limitation is 1 kg (about 4 shirts). When you have an urgent appointment but no more clean shirt left in your cupboard, this program will help you. Time duration is only 1 hour including wash and dry. Remark: Big towels or jeans is not suitable for this program, they will enlarge the time duration and affect the moisture content.
ECO 40-60	Washing brightly colored clothes, it can protect the colors better. Default 40°C, not selectable, suitable for laundry washing at about 40°C-60°C.
Intensive	To increase the washing effects, washing time is increased.
20°C	20°C default, can choose cold water.
Wash and Dry	The standard energy program.

---

# OPERATION

## ■ Option

Cycle	Default Temp.(°C)	Default spin speed in rpm	Additional functions
1400			
Quick	Cold	800	Delay,
Sport Wear	40	800	Delay,
20°C	20	1000	Delay,
Jeans	60	1000	Delay,
Wool	40	600	Delay,
ECO 40-60	--	1400	Delay,
Intensive	40	800	Delay,
Spin only	--	1000	Delay,
Rinse&Spin	--	1000	Delay,
Baby care	60	800	Delay,
Dry Only	--	1400	Delay, ☀,
Wash and Dry	--	1400	Delay, ☀,
Mix	40	800	Delay, ☀,
Cotton	40	1400	Delay, ☀,
1Hour W/D	Cold	1400	Delay, ☀,

### Note!

- For the maximum spin speed, program time, and other details of the ECO 40-60 and Wash and Dry programs, please refer to the content on the Product Fiche page.
- The table shows which cycle offers which options for adjustment. If an adjustment is not possible for a cycle.



# OPERATION

---

Delay

## Delay

Set the Delay function:

1. Select a programme
2. Press the Delay button to choose the time(the delaying time is 0-24 H.)
3. Press [Start/Pause] to commence the delay operation



On/Off

Choose the Programme

Setting time

Start

Cancel the Delay function:

Press the [Delay] button until the display be 0H.It should be pressed before starting the programme. If the programme already started, should press the [On/Off] button to reset the programme.

---



## My Cycle

Memory the frequently used programmes

Press [ ♥ ]3sec. to memory the running programme. The default is cotton.

---



## Child Lock

To avoid mis operation by children.



On/Off

Start/Pause

Press [Temp.] and [Speed]  
3 sec. till buzzer beep.

## ⚠ Caution!

- Press the two button 3sec. also to be released the function.
- The "Child Lock" will lock all buttons except [On/Off].
- Cut off the power supply , the kid's protection is to be released.
- The child lock will remain effective when the power is resumed for some models.

# OPERATION

---

Speed

## Spin Speed

When needed, the spinning speed can be adjusted pressing the Speed button in the following steps: 1400 : 0-400-600-800-1000-1200-1400

## ⚠ Caution!

- When the lights of speed are off means the spin speed is 0.

Temp.

## Temp.

Press the button to regulate the temperature(Cold,20°C,30°C, 40°C,60°C,90°C)



## Mute the buzzer



On/Off

Start/Pause

Press the [Temp.] button for 3sec. the buzzer is mute.

To act the buzzer function, press the button again for 3 seconds. The setting will be kept until the next reset.

## ⚠ Caution!

- After Muting the buzzer function, the sounds will not be activated any more.

# OPERATION

---



## Dry Level

Press the Dry Level button continuously to choose the dry level: Extra Dry/Normal Dry/ Gentle Dry.

- ☀ Extra Dry: Need to wear clothes immediately, we can choose this function
- ☀ Normal Dry: The normal dry procedure
- ☀ Gentle Dry: Only to dry slightly and then is just ok.



## Note!

- Drying hints
  - Clothes could be dried after spinning
  - To ensure quality dry the textiles, please classify them according to their kinds and the drying temperature.
  - Synthetic should be set the proper drying time .
  - If you want to iron the clothes after drying, please put them for a while.
- Clothes not suitable for drying
  - Particularly delicate items such as synthetic curtains, woolen and silk, clothes with metal inserts, nylon stockings, bulky clothes, such as anoraks, bedcovers, quilts, sleeping bags and duvets must not be dried.
  - Clothes padded with foam-rubber or materials similar to foam-rubber must not be machine dried.
  - Fabrics containing residues of setting lotions or hair sprays, nail solvents or similar solutions must not be machine dried in order to avoid the formation of harmful vapours.

# MAINTENANCE

---

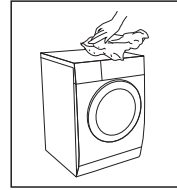
## ■ Cleaning and Care

### ⚠ Warning!

- Always unplug the appliance and close the water tap before cleaning and maintenance.

### Cleaning the Cabinet

Proper maintenance on the washing machine can extend its working life. The surface can be cleaned with diluted non-abrasive neutral detergents when necessary. If there is any water overflow, use a cloth to wipe it off immediately. Never use sharp items to clean the appliance.



### ⚠ Caution!

- Never use abrasive or caustic agents, formic acids or its diluted solvents or similar substances, like alcohol or chemical products.

### Cleaning the Drum

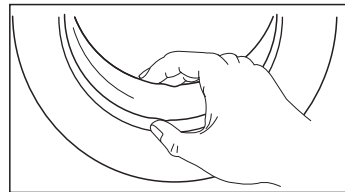
Any rust stains left inside the drum by metal articles must be removed immediately using chlorine-free detergents. Never use steel wool for cleaning the drum!

### 📌 Note!

- Keep any laundry away from the machine while cleaning the drum.

### Cleaning the Door Seal and Glass

Wipe the glass and seal after each wash to remove lint and stains. If lint builds up it can cause leakages. Remove any coins, buttons and other objects from the seal after each wash. Clean the Door Seal and Glass every month to ensure the normal operation of the appliance.



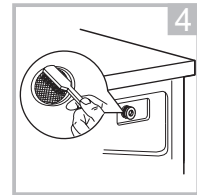
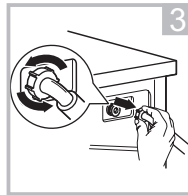
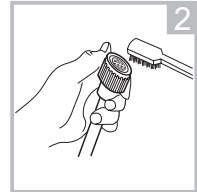
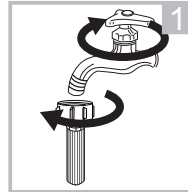
# MAINTENANCE

## Cleaning the Inlet Filter


### Note!

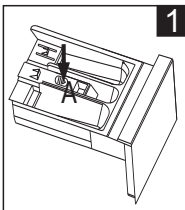
- Diminishing water flow is a sign that the filter need to be cleaned.

1. Close the tap and remove the water supply hose from it.
2. Clean the filter with a brush.
3. Unscrew the water supply hose from the backside of the machine. Pull out the filter with long nose pliers.
4. Use a brush to clean the filter.
5. Reinstall the filter to the water inlet and reconnect the water supply hose.
6. Clean the Inlet filter every 3 months to ensure the normal operation of the appliance.

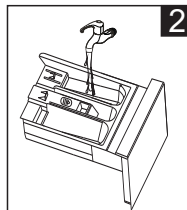


## Clean The Detergent Dispenser

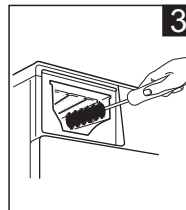
1. Press down the release [  ] on the softener cover and pull the dispenser drawer out of the recess. Clean the inside of the recess with a brush.
2. Lift the softener cover off the dispenser drawer and wash both items with water.
3. Restore the softener cover and push the drawer back into the recess.



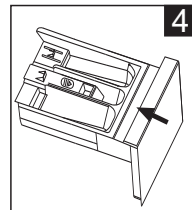
Pull out the dispenser drawer with press the A



Clean the dispenser drawer under water



Clean inside the recess with an old toothbrush



Insert the dispenser drawer

### Note!

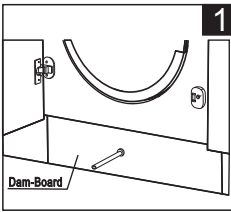
- Do not use abrasive or caustic agents to clean plastic parts.
- Clean the detergent dispenser every 3 months to ensure the normal operation of the appliance

# MAINTENANCE

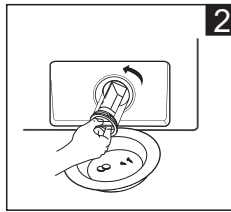
## Cleaning the Drain Pump Filter

### ⚠ Warning!

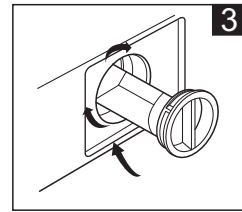
- Be careful of the hot water!
- Allow detergent solution to cool down.
- Unplug the machine to avoid electrical shock before washing.
- Drain pump filter can filter the yarns and small foreign matters from the washing.
- Clean the filter periodically to ensure the normal operation of washing machine.
- Clean the filter periodically every 3 months to ensure the normal operation of the appliance.



After the power is disconnected, pull out the Dam-Board.



Turn the filter down as shown with the figure and take out sundries matters.



Reinstall each part back after sundries matters are removed.

### ⚠ Caution!

- Make sure emergency drain hose cap and the emergency drain hose are reinstalled properly, otherwise water may leak.

# MAINTENANCE

---

## ■ Trouble Shooting

Whenever there is a problem with the appliance, check if you can solve it following the tables below. If the problem persists, please contact the customer service.

Description	Possible cause	Solution
Appliance does not start	Door is not closed properly. Clothes are stuck.	Close the door properly and restart. Check the laundry.
Door can't be opened	Safety protection is activated.	Disconnect the power and restart.
Water leakage	Connections are not tight enough.	Check and fasten the water inlet pipe. Check and clean the outlet hose.
Detergent residues in the detergent dispenser	Detergent is damp and/or clotted.	Clean and wipe the detergent dispenser dry.
Indicator or display does not work	PC board or harness have connection problems.	Switch off the power and check if the mains plug is connected properly.
Abnormal noise	Fixing bolts still in place. Floor is not solid or level.	Check if the fixing bolts have been removed Make sure the appliance is installed on a solid and level floor.

## Error Codes

Description	Possible cause	Solution
<b>E30</b>	Door is not closed properly	Close the door properly and restart.
<b>E10</b>	Water injecting problem during wash cycle.	Check if the water pressure is high enough. Straighten the water pipe. Clean the inlet valve filter.
<b>E21</b>	Overtime water draining	Check the drain hose for blockage.
<b>E12</b>	Water overflow	Restart the appliance.
<b>EXX</b>	Others	Restart the appliance. If problem persists, please contact the customer service.

---

# MAINTENANCE

## ■ Customer service

Spare part for your appliance are available for a minimum of 10 years.  
In case of questions please contact our customer service at:

### Warning!

Risk of electric shock

- Never try repair an appliance which is defective or presumed to be defective. You may put your own and future users' lives in danger. Only authorised specialists are allowed to carry out this repair work.
- Improper repair will void the warranty and subsequent damages can't be recognized!

## Transport

### IMPORTANT STEPS WHEN MOVING THE APPLIANCE

- Unplug the appliance and close the water inlet tap.
- Check, if the door and the detergent dispenser are closed properly.
- Remove the water inlet pipe and the outlet hose from the house installations.
- Let the water drain completely from the appliance (see "Maintenance Cleaning the drain pump filter")
- Important: Re-install the 4 transport bolts in the back of the appliance.
- This appliance is heavy. Transport with care. Never hold any protruding part of the machine when lifting. The machine door cannot be used as a handle.

## ■ Technical Specifications

Power Supply	220-240V~,50Hz
--------------	----------------

MAX.Current	10A
-------------	-----

Standard Water Pressure	0.05MPa~1MPa
-------------------------	--------------

Model	WT6508.0v
-------	-----------

Power Supply	220-240V~,50Hz
--------------	----------------

Washing Capacity	8.0kg
------------------	-------

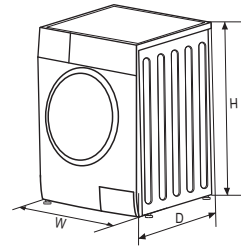
Drying Capacity	6.0kg
-----------------	-------

Dimension(W*D*H)	595*540*825
------------------	-------------

Weight	64kg
--------	------

Rated Power	1900W
-------------	-------

Drying Power	1300W
--------------	-------





# MAINTENANCE

## ■ Product Fiche

Supplier's name or trade mark<sup>(a)</sup> (d):

Supplier's address<sup>(a)</sup> (d):

Model identifier<sup>(a)</sup>: WT6508.0v

### General product parameters:

Parameter	Value		Parameter	Value	
Rated capacity (kg)	Rated capacity (c)	6.0	Dimensions in cm (a) (d)	Height	83
	Rated washing capacity (b)	8.0		Width	60
				Depth	54
Energy Efficiency Index	EEI <sub>w</sub> (b)	60.0	Energy efficiency class	EEI <sub>w</sub> (b)	B (e)
	EEI <sub>WD</sub> (c)	78.4		EEI <sub>WD</sub> (c)	E (e)
Washing efficiency index	I <sub>w</sub> (b)	1.031	Rinsing effectiveness (g/kg dry textile)	I <sub>r</sub> (b)	5.0
	J <sub>w</sub> (c)	1.031		J <sub>r</sub> (c)	5.0
Energy consumption in kWh per kg per cycle, for the washing cycle of the household washer-dryer, using the eco 40-60 programme at a combination of full and partial loads. Actual energy consumption will depend on how the appliance is used	0.545		Energy consumption in kWh per kg per cycle, for the wash and dry cycle of the household washer-dryer at a combination of full and half loads. Actual energy consumption will depend on how the appliance is used	3.600	
Water consumption in litre per cycle, for the eco 40-60 programme at a combination of full and partial loads. Actual water consumption will depend on how the appliance is used and on the hardness of the water	48		Water consumption in litre per cycle, for the wash and dry cycle of the household washer-dryer at a combination of full and half loads. Actual water consumption will depend on how the appliance is used and on the hardness of the water	90	
Maximum temperature inside the treated textile (°C) for the washing cycle of the household washer- dryer, using the eco 40-60 programme	Rated washing capacity	38	Maximum temperature inside the treated textile (°C) for the washing cycle of the household washer-dryer, using the wash and dry cycle	Rated capacity	39
	Half	38		Half	27
	Quarter	21			
Spin speed (rpm) (b)	Rated washing capacity	1400	Weighted remaining moisture content (%) (b)	53.9	
	Half	1400			
	Quarter	1400			

# MAINTENANCE

Eco 40-60 programme duration (h:min)	Rated washing capacity	3:38	Spin-drying efficiency class <sup>(b)</sup>	B <sup>(c)</sup>	
	Half	2:48			
	Quarter	2:48			
Airborne acoustical noise emissions during the spinning phase for the eco 40-60 washing cycle at rated washing capacity (dB(A) re 1 pW)	76	wash and dry cycle duration (h:min)	Rated capacity	9:30	
			Half	6:40	
Type	built-in	Airborne acoustical noise emission class for the spinning phase for the eco 40-60 programme at rated washing capacity	B <sup>(c)</sup>		
Off-mode (W) (if applicable)	0.50	Standby mode (W) (if applicable)	1.00		
Delay start (W) (if applicable)	4.00	Networked standby (W) (if applicable)	N/A		

**Minimum duration of the guarantee offered by the supplier <sup>(a)</sup>: <sup>(d)</sup>:**

This product has been designed to release silver ions during the washing cycle	NO
--	----

**Additional information<sup>(a)</sup><sup>(d)</sup>:**

Weblink to the supplier's website, where the information in point 9 of Annex II to Regulation (EU) 2019/2023 is found:

- (a) this item shall not be considered relevant for the purposes of Article 2(6) of Regulation (EU) 2017/1369.
- (b) for the eco 40-60 programme.
- (c) for the wash and dry cycle.
- (d) changes to this item shall not be considered relevant for the purposes of paragraph 4 of Article 4 of Regulation (EU) 2017/1369.
- (e) if the product database automatically generates the definitive content of this cell the supplier shall not enter these data.

- 1) The actual energy consumption will depend on how the appliance is used.
- 2) The actual water consumption will depend on how the appliance is used and on the hardness of the water.
- 3) Delivery of the spare parts within 15 working days after having received the order.

## Product Data Sheet concerning (EU) 2019/2014

The product data sheet for your appliance can be found online.  
 Go to <https://eprel.ec.europa.eu> and enter the model identifier for your appliance to download the data sheet.  
 The model identifier for your appliance can be found in the technical specifications section.

# MAINTENANCE

---

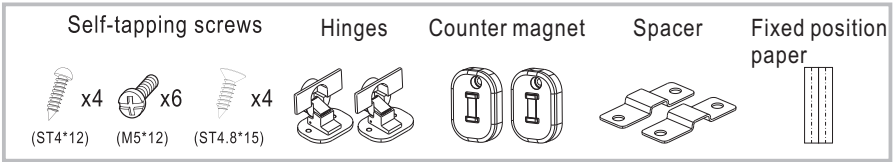
## Remarks:

- ① The energy efficiency class is from A(highest efficiency) to D (lowest efficiency).
- ② Estimated annual energy and water consumption for a four-person household, always using the dryer (based on 200 cycles) per year.
- ③ Estimated annual energy and water consumption for a four-person household, never using the dryer (based on 200 cycles)per year;  
Water consumption per year based on 220 standard washing cycles for standard programme at 60°C and 40°C at full and partial load. Actual water consumption will depend on how the appliance is used.
- ④ Washing performance class.
- ⑤ Spin-drying efficiency class from G (least efficient) to A (most efficient).
- ⑥ The standard programme is standard washing programme. The programme is suitable to clean normally soiled cotton laundry and they are the most efficient programmes in terms of combined energy and water consumptions for washing that type of cotton laundry. The actual water temperature may differ from the declared cycle emperature.  
Please choose the suitable type of detergent for the various washing temperatures to get the best washing performance with less water and energy consumption.

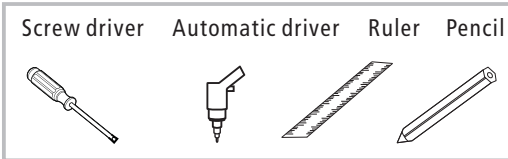
# MAINTENANCE

## ■ Built-in installation

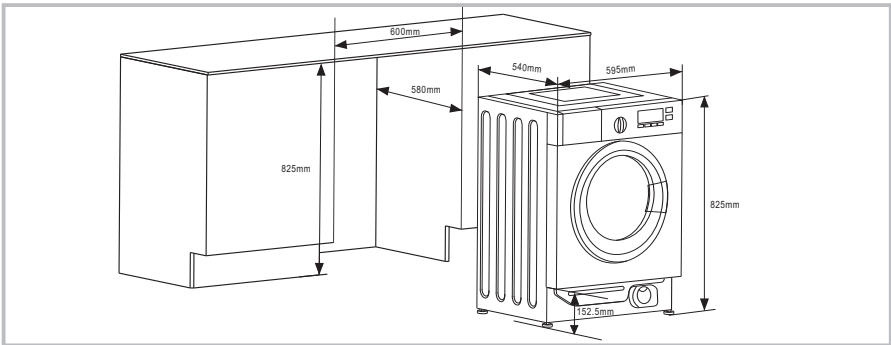
### Appendix



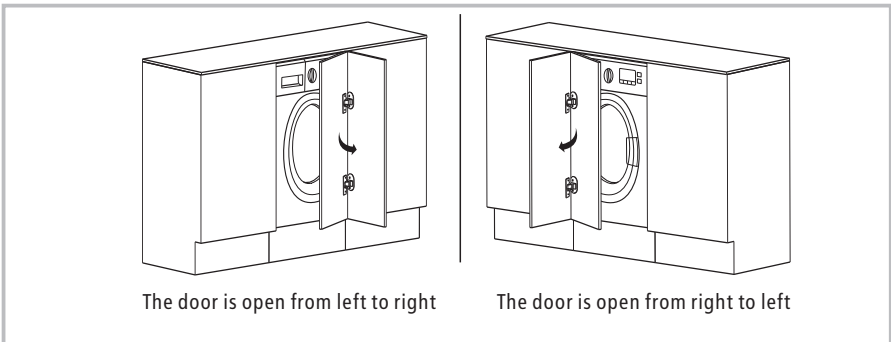
### Tool



### Install Steps

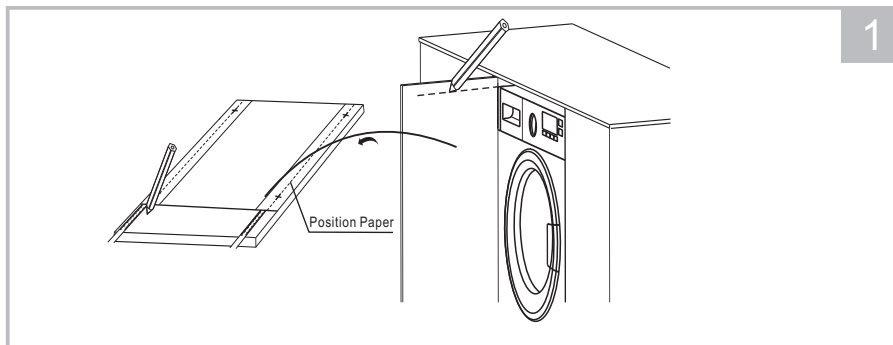


### Overview

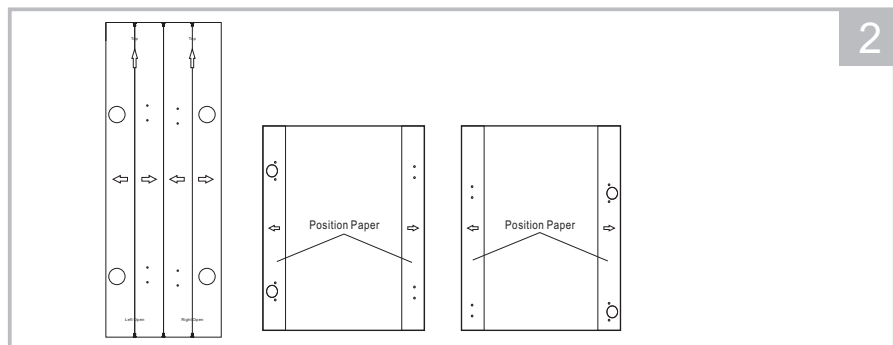


### Preparation and assembly of the door

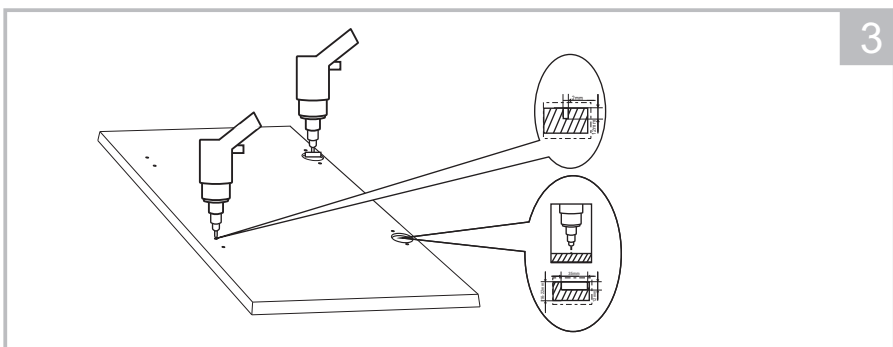
# MAINTENANCE



Make the mark on the door

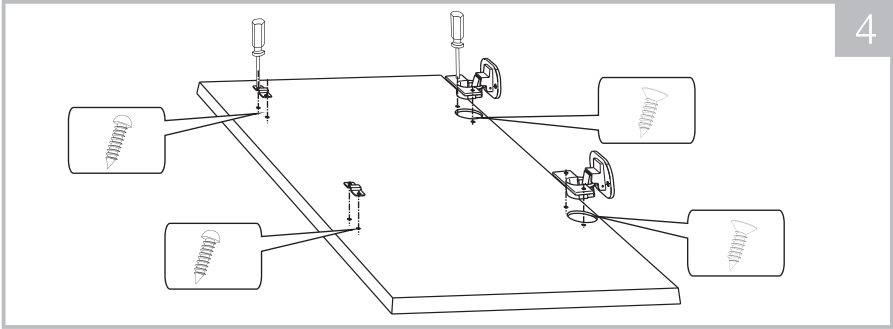


Fixed position paper on the door.



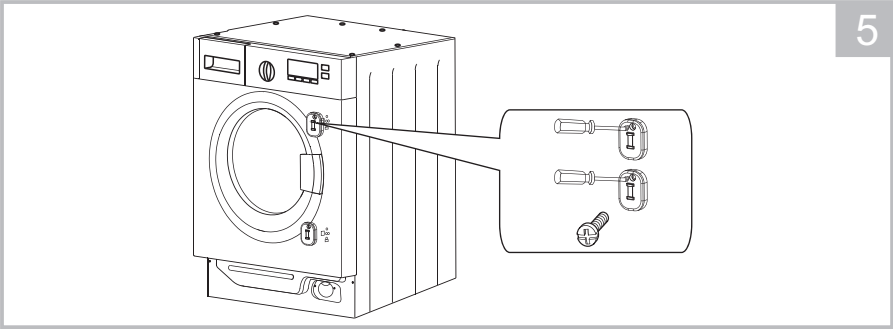
Drill hole on the door

# MAINTENANCE



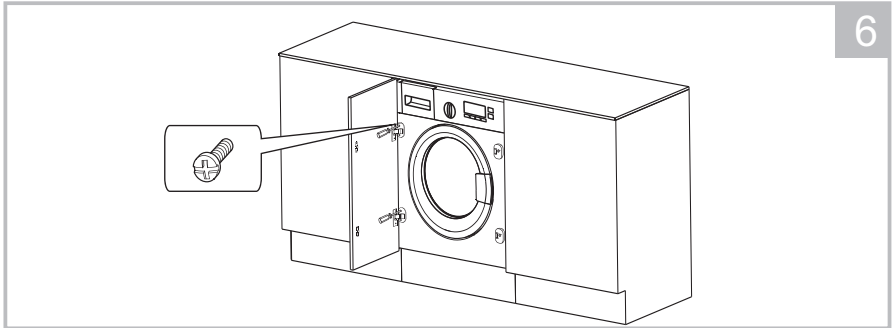
4

Installation the hinges and spacer



5

Installation the counter magnet



6

Installation the door

## Warning!

- When installing the appliance into the kitchen ensure furniture, if possible, the hoses are placed in either of the two recesses on the back of the appliance. This will help to prevent the hoses from becoming kinked or trapped.

# CONTENIDO

---

## INSTRUCCIONES DE SEGURIDAD

- Instrucciones de seguridad..... 2

## INSTALACIÓN

- Descripción del producto..... 8
- Instalación..... 9

## OPERACIONES

- Inicio rápido ..... 12
- Antes de cada lavado ..... 13
- Dispensador de detergente ..... 14
- Panel de control..... 15
- Opciones..... 16
- Otras funciones ..... 17
- Programas..... 20
- Tabla de programas de lavado ..... 21

## MANTENIMIENTO

- Limpieza y mantenimiento..... 22
- Solución de problemas..... 25
- Especificaciones técnicas ..... 26
- Ficha de producto ..... 27
- Instrucciones de encastre ..... 31

# INSTRUCCIONES DE SEGURIDAD

---

## ■ Instrucciones de seguridad

Por su seguridad, se debe seguir la información de este manual para minimizar el riesgo de incendio o explosión, descarga eléctrica o para evitar daños a la propiedad, lesiones personales o la muerte. Explicación de los símbolos:

### Advertencia!

Esta combinación de símbolo y palabra de advertencia indica una situación potencialmente peligrosa que puede provocar la muerte o lesiones graves a menos que se evite.

### Cuidado!

Esta combinación de símbolo y palabra de advertencia indica una situación potencialmente peligrosa que puede resultar en lesiones leves o daños a la propiedad y al medio ambiente.

### Nota!

Esta combinación de símbolo y palabra de advertencia indica una situación potencialmente peligrosa que puede provocar lesiones leves.

### Advertencia!

¡La descarga eléctrica!

- Si el cable de alimentación está dañado, debe ser reemplazado por el fabricante, su agente de servicio o personas calificadas de manera similar para evitar un peligro.



## INSTRUCCIONES DE SEGURIDAD

---

- Los juegos de mangueras nuevos suministrados con el aparato deben utilizarse y los juegos de mangueras viejos no deben reutilizarse.
- Antes de cualquier mantenimiento del dispositivo, desenchufe el aparato de la red.
- Desenchufe siempre la máquina y cierre el suministro de agua después de su uso. El máximo. presión de entrada de agua, en pascales. Ellos en. presión de entrada de agua, en pascales.
- Para garantizar su seguridad, el enchufe de alimentación debe insertarse en un enchufe de tres polos con conexión a tierra. Verifique con cuidado y asegúrese de que su enchufe esté conectado a tierra de manera adecuada y confiable.
- Asegúrese de que el agua y los dispositivos eléctricos los debe conectar un técnico calificado de acuerdo con las instrucciones del fabricante y las normas de seguridad locales.

### **¡Riesgo para los niños!**

- Países ES: el aparato puede ser utilizado por niños a partir de 8 años y personas con capacidades físicas, sensoriales o mentales reducidas o falta de experiencia y conocimiento si han recibido supervisión o instrucciones sobre el uso del aparato de forma segura y comprender los peligros involucrados. Los niños no deben jugar con el aparato. Los niños no deben realizar la limpieza y el mantenimiento del usuario sin supervisión.
  - Los niños menores de 3 años deben ser supervisados para asegurarse de que no jueguen con el aparato.
- Los animales y los niños pueden subirse a la máquina. Compruebe la máquina antes de cada operación.
- Los niños deben ser supervisados para que no jueguen con el aparato.

# INSTRUCCIONES DE SEGURIDAD

---

- La puerta de vidrio puede estar muy caliente durante la operación. Mantenga a los niños y las mascotas alejados de la máquina durante la operación en habitaciones muy húmedas, así como en las habitaciones con gas explosivo o cáustico.
- Retire todos los paquetes y pernos de transporte antes de usar el aparato. De lo contrario, pueden producirse daños graves.
- El enchufe debe ser accesible después de la instalación.

## ¡Riesgo de explosión!

No lave ni seque artículos que se hayan limpiado, lavado, remojado o tocado con sustancias combustibles o explosivas (como cera, aceite, pintura, gasolina, desengrasantes, disolventes de limpieza en seco, queroseno, etc.). provocar un incendio o una explosión.

- Antes de lavar a mano, enjuague bien las prendas de lavar a mano.

## ⚠ Caution!

## Instalando el producto!

- Esta lavadora es solo para uso en interiores.
- No está diseñado para integrarse.
- Las aberturas no deben estar obstruidas por una alfombra.
- No se debe instalar lavadora en cuartos de baño o cuartos muy húmedos, así como en cuartos con gases explosivos o cáusticos.
- La lavadora con válvula de entrada única solo se puede conectar al suministro de agua fría. El producto con válvulas de doble entrada debe conectarse correctamente al suministro de agua caliente y agua fría.
- El enchufe debe ser accesible después de la instalación.

# INSTRUCCIONES DE SEGURIDAD

- Retire todos los paquetes y pernos de transporte antes de usar el aparato. De lo contrario, pueden producirse daños graves.

¡Riesgo de dañar el aparato!

- Su producto es solo para uso doméstico y solo está diseñado para los textiles adecuados para el lavado a máquina.
- No se suba ni se siente sobre la cubierta superior de la máquina.
- No se apoye contra la puerta de la máquina.
- Precauciones durante el manejo de la máquina:
  1. Una persona especializada debe volver a instalar los pernos de transporte en la máquina.
  2. El agua acumulada se drenará de la máquina.
  3. Manipule la máquina con cuidado. Nunca sujete cada parte sobresaliente de la máquina mientras la levanta. La puerta de la máquina no se puede utilizar como manija durante el transporte.
  4. Este aparato es pesado. Transporte con cuidado.
- No cierre la puerta con demasiada fuerza. Si le resulta difícil cerrar la puerta, verifique si la ropa está bien colocada o distribuida.
- Está prohibido lavar alfombras.

Operación del aparato!

- Antes de lavar la ropa por primera vez, el producto debe operarse en una ronda de todos los procedimientos sin la ropa adentro.
- Se prohíben los disolventes inflamables, explosivos o tóxicos. La gasolina, el alcohol, etc., no deben utilizarse como detergentes. Seleccione únicamente los detergentes adecuados para el lavado a máquina, especialmente para tambor.

# INSTRUCCIONES DE SEGURIDAD

---

- Asegúrese de que todos los bolsillos estén vacíos. Los elementos afilados y rígidos como monedas, broches, clavos, tornillos o piedras, etc. pueden causar daños graves a esta máquina.
- Compruebe si se ha drenado el agua del interior del tambor antes de abrir la puerta. No abra la puerta si hay agua visible.
- Tenga cuidado con las quemaduras cuando el producto drena el agua de lavado caliente.
- Nunca vuelva a llenar el agua a mano durante el lavado.
- Una vez finalizado el programa, espere dos minutos para abrir la puerta.

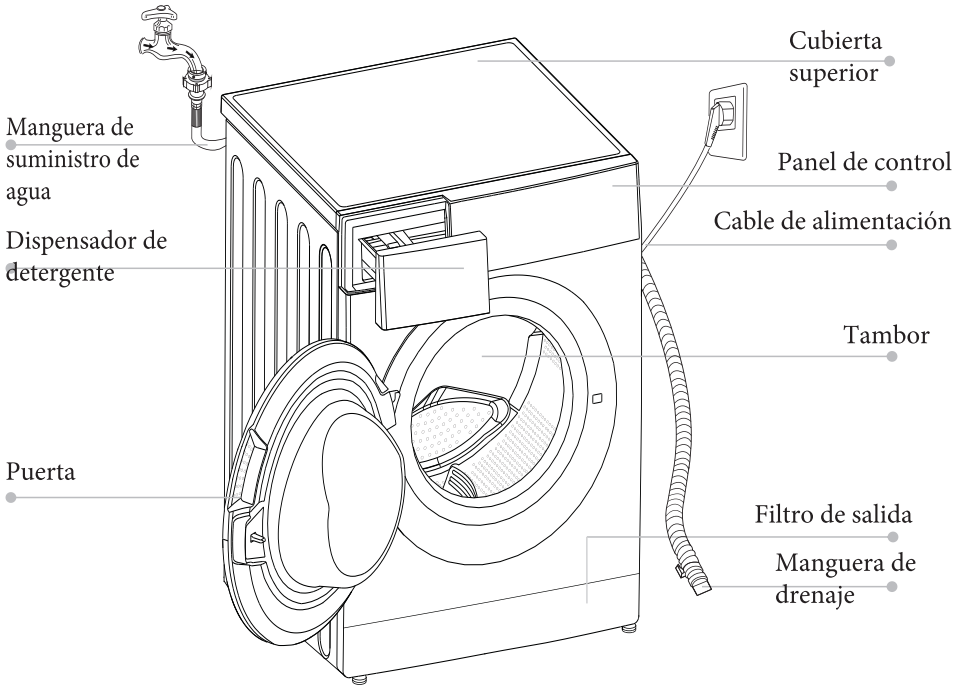
## Embalaje / Aparato antiguo



Esta marca indica que este producto no debe desecharse con otros desechos domésticos en toda la UE. Para evitar posibles daños al medio ambiente o la salud humana debido a la eliminación incontrolada de desechos, recíclelo de manera responsable para promover la reutilización sostenible de los recursos materiales. , utilice los sistemas de recogida o póngase en contacto con el distribuidor donde compró el producto. Ellos regresan y pueden llevar este producto para un reciclaje seguro para el medio ambiente.

# INSTALACIÓN

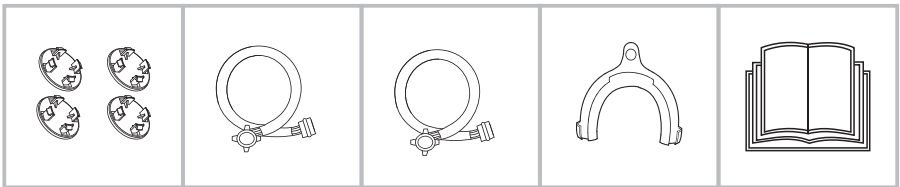
## ■ Descripción del producto



### 📌 Nota!

- El gráfico de líneas de productos es solo de referencia, consulte el producto real como estándar.

## Accesorios



Pernos de los agujeros de transporte

Tubo de Entrada agua fría

Tubo de Entrada agua caliente

Soporte de la Manguera de Salida (opcional)

Manual de usuario

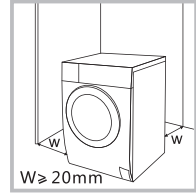
# INSTALACIÓN

## ■ Instalación

### Area de instalación

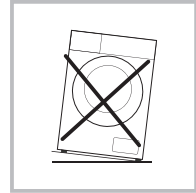
#### ⚠ Advertencia!

- La estabilidad es importante para evitar que el producto se mueva.
- Asegúrese de que el producto no se apoye sobre el cable de alimentación.



Antes de instalar la máquina, se seleccionará la ubicación caracterizada de la siguiente manera:

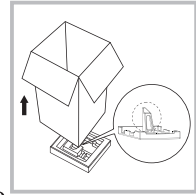
1. Superficie rígida, seca y nivelada
2. Evite la luz solar directa
3. Ventilación suficiente
4. La temperatura ambiente es superior a 0 °C
5. Manténgase alejado de fuentes de calor como carbón o gas.



### Desembalaje de la lavadora

#### ⚠ Advertencia!

El material de embalaje (por ejemplo, películas, espuma de poliestireno) puede ser peligroso para los niños. ¡Existe riesgo de asfixia! Mantenga todos los envases fuera del alcance de los niños.



1. Retire la caja de cartón y el embalaje de espuma de poliestireno.
2. Levante la lavadora y retire el embalaje de la base. Asegúrese de quitar la espuma del triángulo pequeño junto con la de abajo. De lo contrario, coloque la unidad con la superficie lateral y luego retire la espuma pequeña de la parte inferior de la unidad manualmente.
3. Retire la cinta que sujeta el cable de alimentación y la manguera de drenaje.
4. Retire la manguera de entrada del tambor.

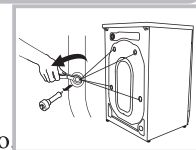
### Retire los pernos de transporte

#### ⚠ Advertencia!

Debe quitar los pernos de transporte de la parte trasera antes de usar el producto. Necesitará los pernos de transporte nuevamente si mueve el producto, así que asegúrese de guardarlos en un lugar seguro.

Siga los siguientes pasos para quitar los tornillos:

1. Afloje 4 tornillos con una llave y luego retírelos.
2. Detenga los orificios con tapones para orificios de transporte.
3. Guarde los pernos de transporte correctamente para uso futuro.



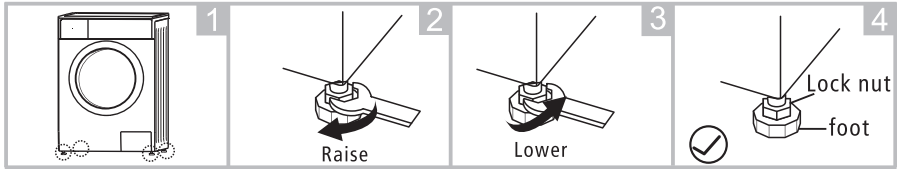
# INSTALACIÓN

## Nivelación de la lavadora

### ⚠ Advertencia!

- Las contratuercas de las cuatro patas deben atornillarse firmemente contra la carcasa.

1. Verifique que las patas estén bien unidas al gabinete. En caso contrario, gírelos a sus posiciones originales y apriete las tuercas.
2. Afloje la contratuerca y gire las patas hasta que haga contacto estrecho con el suelo.
3. Ajuste las patas y bloquéelas con una llave, asegúrese de que la máquina esté firme.



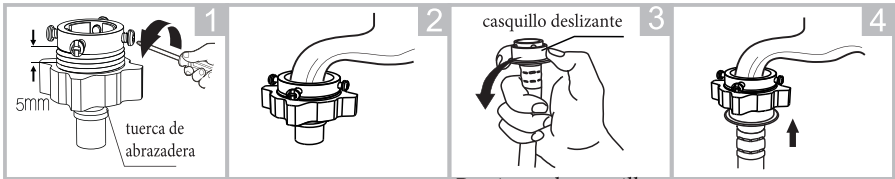
## Conecte la manguera de suministro de agua

### ⚠ Advertencia!

- Para evitar fugas o daños por agua, siga las instrucciones de este capítulo.
- No retuerza, aplaste, modifique ni corte la manguera de entrada de agua.
- Para el modelo con válvula de agua caliente, conéctela a un grifo de agua caliente con manguera de suministro de agua caliente. El consumo de energía disminuirá automáticamente para algunos programas.

Conecte el tubo de entrada como se indica. Hay dos formas de conectar el tubo de entrada.

1. Conexión entre grifo ordinario y manguera de entrada.



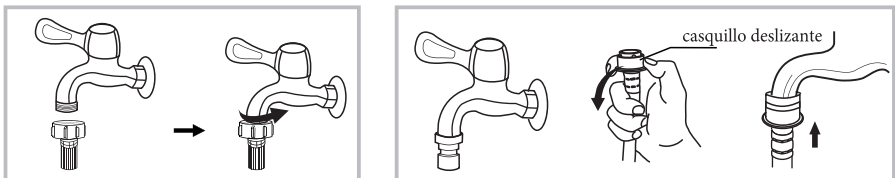
Afloje la tuerca de la abrazadera y los cuatro pernos

Apriete la tuerca de la abrazadera

Presione el casquillo deslizante, inserte la manguera de entrada en la base de conexión

Conexión finalizada

2. Conexión entre grifo de rosca y manguera de entrada.

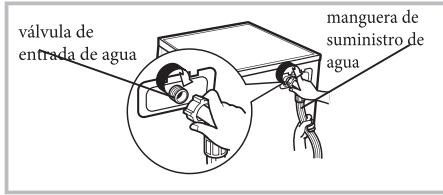


Grifo con rosca y manguera de entrada

Grifo especial para lavadora

# INSTALACIÓN

Conecte el otro extremo de la tubería de entrada a la válvula de entrada en la parte posterior del producto y apriete la tubería en sentido horario.



## Manguera de drenaje

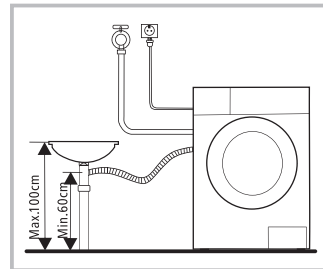
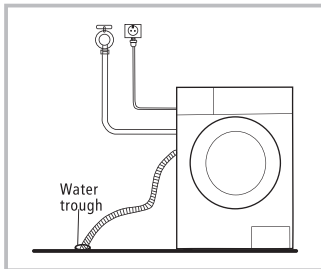
### ⚠ Advertencia!

No retuerza ni alargue la manguera de drenaje. Coloque la manguera de desagüe correctamente; de lo contrario, podrían producirse daños por fugas de agua.

Hay dos formas de colocar el extremo de la manguera de drenaje:

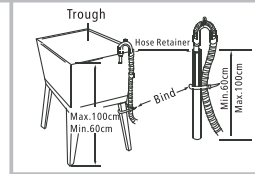
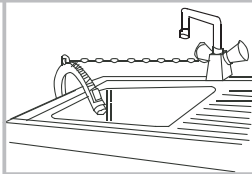
1. Ponlo en el lavadero.

2. Conéctela a la tubería de drenaje de rama del canal.



### 📌 Nota!

- Si la máquina tiene soporte para manguera de drenaje, instálela como se indica a continuación.



### ⚠ Advertencia!

- Cuando instale la manguera de drenaje, fijela correctamente con una cuerda. Si la manguera de desagüe es demasiado larga, no la fuerce dentro de la lavadora, ya que provocaría ruidos anormales.



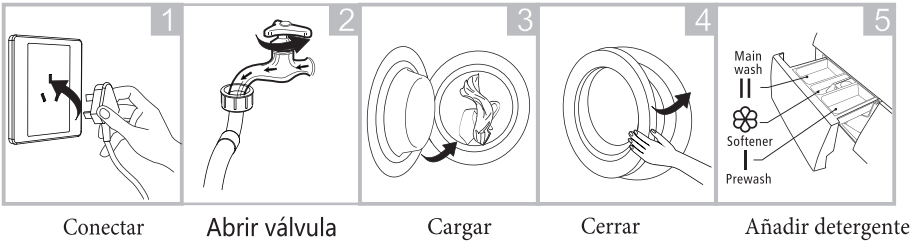
# OPERACIONES

## ■ Inicio rápido

### ⚠ Cuidado!

Antes de lavarlo, asegúrese de que esté instalado correctamente.  
Antes de lavar por primera vez, la lavadora se debe operar en una ronda de todos los procedimientos sin ropa de la siguiente manera.

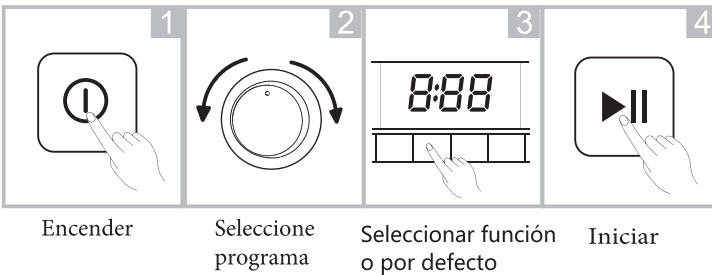
### 1. Antes de lavar



### 📌 Nota!

- Es necesario agregar detergente en el "caso I" después de seleccionar el prelavado para máquinas con esta función.

### 2. Lavado



### 📌 Nota!

- Si se selecciona el valor predeterminado, se puede omitir el paso 2.
- 2.El gráfico de líneas de botones de función es solo de referencia, consulte el producto real como estándar.

### 3. Después del lavado

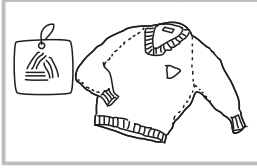
La cerradura de la puerta y las luces [Inicio / Pausa] parpadean con el timbre sonando o dos pequeños

puntos parpadean en la pantalla digital.

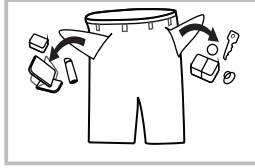
# OPERACIONES

## ■ Antes de cada lavado

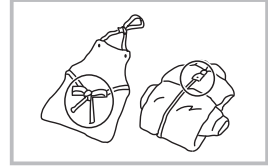
- La condición de funcionamiento de la lavadora debe ser  $(0-40)^\circ\text{C}$ . Si se usa por debajo de  $0^\circ\text{C}$ , la válvula de entrada y el sistema de drenaje pueden dañarse. Si la máquina se coloca en condiciones de  $0^\circ\text{C}$  o menos, entonces debe transferirse a la temperatura ambiente normal para asegurarse de que la manguera de suministro de agua y la manguera de drenaje no se congelen antes de su uso.
- Consulte las etiquetas y la explicación del uso de detergente antes del lavado. Utilice un detergente que no haga espuma o que produzca menos espuma, adecuado para lavar a máquina correctamente.



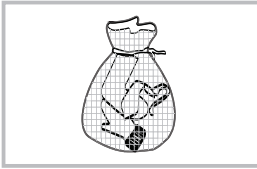
Revisa la etiqueta



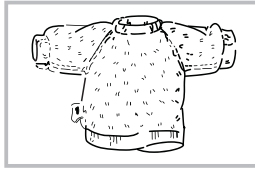
Saque los artículos de los bolsillos



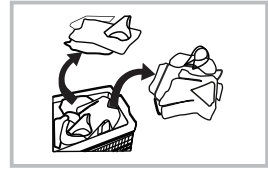
Anuda las tiras largas, cremallera o botón



Ponga ropa pequeña en la funda de almohada



Dé vuelta a la tela de pelo largo y fácil de hacer bolitas



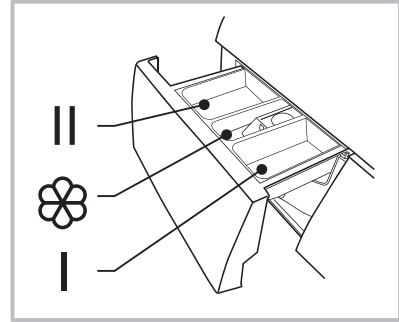
Dé vuelta a la tela de pelo largo y fácil de hacer bolitas

### ⚠ Advertencia!

- Cuando se lava una sola ropa, puede causar fácilmente una gran excentricidad y dar alarma por un gran desequilibrio. Por lo tanto, se sugiere agregar una o dos prendas más para lavarlas juntas para que el drenaje se pueda realizar sin problemas.
- No lave la ropa en contacto con queroseno, gasolina, alcohol y otros materiales inflamables.

# OPERACIONES

- Dispensador de detergente
- | Detergente de prelavado
- || Detergente de lavado principal
- ⊗ Suavizante



Saque el dispensador

## ⚠ Cuidado!

- Solo es necesario agregar detergente en el "caso I" después de seleccionar el prelavado para máquinas con esta función.

Programa			⊗	Programa			⊗
Algodón		●	○	Secar			
1 Hora Lavar/Secar		●	○	Centrifugar			
Vaqueros		●	○	Rápido		●	○
Mix		●	○	Ropa deportiva		●	○
Lana		●	○	Delicado		●	○
Aclarar+centrifugar			○	Lavar y secar		●	○
ECO 40-60		●	○	Intensivo		●	○
Frío		●	○				

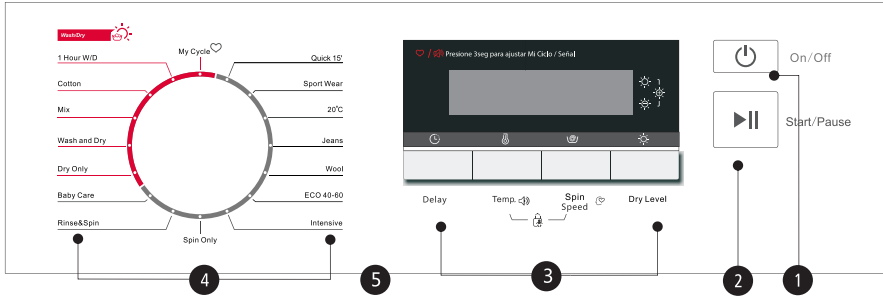
● Obligatorio      ○ Opcional

## 📌 Nota!

- En cuanto al detergente o aditivo aglomerado o viscoso, antes de verterlos en la caja de detergente, se sugiere usar un poco de agua para diluir para evitar que la entrada de la caja de detergente se bloquee y se desborde mientras se llena el agua.
- Elija el tipo de detergente adecuado para las distintas temperaturas de lavado para obtener el mejor rendimiento de lavado con menos consumo de agua y energía.

# OPERACIONES

## ■ Panel de control



### Nota!

- La tabla es solo de referencia, consulte el producto real como estándar.

#### 1 Apagar

El producto está apagado.

#### 2 Inicio / Pausa

Presione el botón para iniciar o pausar el ciclo de lavado.

#### 3 Opciones

Esto le permite seleccionar una función adicional y se iluminará cuando se seleccione.

#### 4 Programas

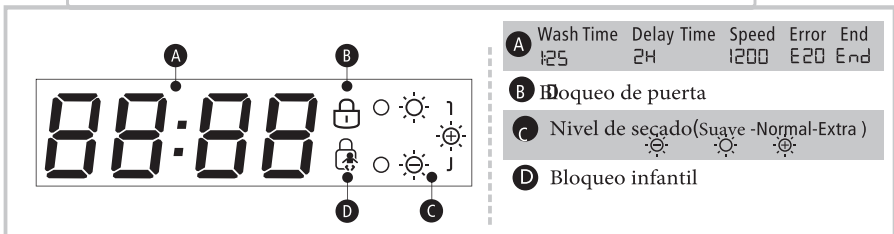
Disponible según el tipo de ropa.

#### 5 Display

The display shows the settings, estimated time remaining, options, and status messages for your washer. The display will remain on through the cycle.

### Nota!

- Cuando finaliza el programa, las luces de Pausa / Inicio y Bloqueo de puerta parpadean.



# OPERACIONES

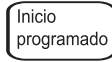
## ■ Opciones

Delay

Inicio programado

Configure la función Inicio programado:

1. Seleccione un programa; 2. Presione el botón Inicio programado para elegir el tiempo (el tiempo de programado es 0-24 H.); 3. Pulse [Inicio / Pausa] para iniciar la operación.



Elija el tiempo de configuración del programa

Inicio

Cancele la función:

Presione el botón [Inicio programado] hasta que la pantalla sea 0 H. Debe presionarse antes de iniciar el programa. Si el programa ya se inició, debe apagar el programa para restablecer uno nuevo.

### ⚠ Cuidado!

- Si hay alguna interrupción en la fuente de alimentación mientras la máquina está funcionando, una memoria especial almacena el programa seleccionado y cuando se reinicia la energía, el programa continuará.

Programa	Opción	Programa	Opción
	Inicio programado		Inicio programado
Algodón	<input type="radio"/>	Secar	<input type="radio"/>
1 Hora L/S	<input type="radio"/>	Centrifugar	<input type="radio"/>
Vaqueros	<input type="radio"/>	Rápido	<input type="radio"/>
Mix	<input type="radio"/>	Ropa deportiva	<input type="radio"/>
Lana	<input type="radio"/>	Delicado	<input type="radio"/>
Aclarar+centrif.	<input type="radio"/>	Lavar y secar	<input type="radio"/>
ECO 40-60	<input type="radio"/>	Intensivo	<input type="radio"/>
Frío	<input type="radio"/>		

Opcional


# OPERACIONES

## ■ Otras funciones



### Mi ciclo

Memorice los programas de uso frecuente

Pulse [  ] 3 seg. para memorizar el programa en ejecución. El predeterminado es algodón



### Bloqueo infantil

Para evitar el mal uso de los niños.



On/Off



Inicio/Pausa



Presione [Temp.] Y [Speed] 3 seg. hasta oír "Beep".

## ⚠ Cuidado!

- Presione los dos botones durante 3 segundos. también para ser liberada la función.
- El "Bloqueo para niños" bloqueará todos los botones excepto [Encendido / Apagado].
- Cortar la fuente de alimentación, la protección del niño se liberará.
- El bloqueo para niños seguirá siendo efectivo cuando se reanude la energía en algunos modelos.



### Velocidad

Presione el botón para cambiar la velocidad de centrifugado.

Programa	Velocidad por defecto(rpm)	Programa	Velocidad por defecto(rpm)
	1400		1400
Rápido	800	Aclarar+centr.	1000
Ropa deportiva	800	Delicado	800
Frío	1000	Secar	1400
Vaqueros	1000	Lavar y secar	1400
Lana	600	Mix	800
ECO 40-60	1400	Algodón	1400
Intensivo	800	1 Hora L/S	1400
Centrifugar	1000		

## ⚠ Cuidado!

- Cuando las luces de velocidad están apagadas significa que la velocidad de centrifugado es 0.

# OPERACIONES

---

Temp.

Temperatura.

Presione el botón para regular la temperatura (Frío, 20 °C, 30 °C, 40 °C, 60 °C, 90 °C)

---



Silenciar



On/Off

Start/Pause

Presionar durante 3 segundos

Para activar la función de zumbador, presione el botón nuevamente durante 3 segundos. La configuración se mantendrá hasta el próximo reinicio.

## ⚠ Cuidado!

- Después de silenciar la función de zumbador, los sonidos ya no se activarán.

# OPERACIONES

---



## Nivel de secado

Presione el botón Nivel de Secado continuamente para elegir el nivel de secado: Extra / Normal / Suave.

☀ Extra: Necesitamos usar ropa inmediatamente, podemos elegir esta función.

☀ Normal: el procedimiento seco es normal

☀ Secado suave: solo para secar ligeramente y luego está bien.



## Nota!

- Consejos de secado
  - La ropa se puede secar después de centrifugar
  - Para asegurar un secado de calidad de los textiles, clasifíquelos según su tipo y la temperatura de secado.
  - Sintético debe establecerse el tiempo de secado adecuado.
  - Si desea planchar la ropa después del secado, déjela un rato.
- Ropa no apta para secar
  - Las prendas especialmente delicadas como cortinas sintéticas, de lana y seda, prendas con inserciones metálicas, medias de nailon, prendas voluminosas como anoraks, cubrecamas, colchas, sacos de dormir y edredones no deben secarse.
  - Las prendas acolchadas con gomaespuma o materiales similares a la gomaespuma no deben secarse a máquina.
  - Los tejidos que contengan residuos de lociones fijas o lacas para el cabello, disolventes para uñas o soluciones similares no deben secarse a máquina para evitar la formación de vapores nocivos.



# OPERACIONES

## ■ Programas

Los programas están disponibles según el tipo de lavandería.

Programas	
Algodón	Tejidos resistentes al calor, tejidos de algodón o lino.
Delicado	Al lavar la ropa del bebé, puede hacer que la ropa del bebé esté más limpia. y mejora el rendimiento del enjuague para proteger la piel del bebé.
Vaqueros	Especialmente para tejidos vaqueros
Mix	Carga mixta compuesta por textiles de algodón y sintéticos.
Ropa deportiva	Lavar la ropa deportiva.
Rápido	Programa extra corto de aprox., Adecuado para ropa poco sucia como pequeñas cantidades de ropa.
Lana	Tejidos de lana fina o de lana fina o lavable a máquina. Programa de lavado especialmente suave para evitar que se encojan, pausas más largas del programa (los tejidos descansan en el líquido de lavado).
Centrifugar	Centrifugado extra con velocidad de centrifugado seleccionable.
Aclarar+Centrif.	Aclarado adicional con centrifugado.
Secar	Selecciónelo para secar ropa, la temperatura es diferente. El tiempo de secado según la carga.
1 Hora L/S	Para ropa o camisas sintéticas pequeñas, el límite de carga es de 1 kg (aproximadamente 4 camisas). Cuando tenga una cita urgente pero no quede más camisa limpia en su armario, este programa lo ayudará. La duración del tiempo es de solo 1 hora, incluido el lavado y el secado. Observación: Las toallas grandes o los jeans no son adecuados para este programa, aumentarán la duración del tiempo y afectarán el contenido de humedad.
ECO 40-60	Lavar ropa de colores brillantes, puede proteger mejor los colores. Predeterminado 40 °C, no seleccionable, apto para lavado de ropa a aproximadamente 40 °C -60 °C.
Intensivo	Para aumentar los efectos del lavado, se aumenta el tiempo de lavado.
Frío	20 °C predeterminado, puede elegir agua fría.
Lavar y secar	El programa energético estándar.

### Nota!

- Referencia a su producto para seleccionar los programas.

# OPERACIONES

## ■ Tabla de lavado

Programa	Lavar/Secar Carga (kg)	Temp.(°C)	Tiempo por defecto(H)
	8.0	Por defecto	8.0
			1400
Rápido	2.0	Frío	0:15
Ropa deportiva	4.0	40	1:11
Frío	4.0	20	1:01
Vaqueros	8.0	60	1:45
Lana	2.0	40	1:07
ECO 40-60	8.0	-	3:35
Intensivo	8.0	40	3:48
Centrifugar	8.0	-	0:12
Aclarar+centr.	8.0	-	0:20
Delicado	8.0	60	1:43
☼ Secar	6.0	-	4:14
☼ Lavar y secar	8.0/6.0	-	5:00
☼ Mix	8.0/6.0	40	1:20
☼ Algodón	8.0/6.0	40	3:49
☼ 1 Hora L/S	1.0/1.0	Frío	0:58

- Con respecto al Reglamento (UE) nº 1061/2010,  
La clase de eficiencia energética de la UE es: A  
Programa de prueba de energía: Intensivo; Velocidad: La velocidad más alta;  
Temp.: 60 °C; Otros por defecto Media carga para máquina 8.0kg: 4.0kg.
- Con respecto al Reglamento (UE) 2019/2023,  
La clase de eficiencia energética de la UE es: E  
Programa de prueba energética: ECO 40-60 / Wash & Dry.  
ECO 40-60: por defecto  
Media carga para máquina de 8.0kg: 4.0kg.  
Cuarto de carga para máquina de 8.0kg: 2.0kg.  
Lavar y secar: nivel de secado: (Extra seco), Otro como predeterminado. Media carga para máquina de 6.0kg: 3.0kg.

### Note!

- Los parámetros de esta tabla son solo para referencia del usuario. Los parámetros reales pueden ser diferentes a los de la tabla mencionada anteriormente.

# MANTENIMIENTO

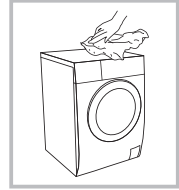
## ■ Limpieza y mantenimiento

### ⚠ Advertencia!

- Antes de que comience el mantenimiento, desenchufe la máquina y cierre el grifo.

### Limpieza exterior

El mantenimiento adecuado de la lavadora puede prolongar su vida útil. La superficie se puede limpiar con diluido detergentes neutros no abrasivos cuando sea necesario. Si hay algún desbordamiento de agua, use el paño húmedo para limpiarlo inmediatamente. No se permiten objetos afilados.



### 📌 Nota!

- El ácido fórmico y sus disolventes diluidos o equivalentes están prohibidos, como alcohol, disolventes o productos químicos, etc.

### Limpieza del tambor

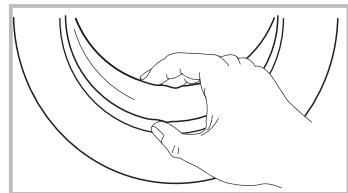
Las oxidaciones que hayan dejado los artículos metálicos en el interior del tambor se eliminarán inmediatamente con detergentes sin cloro. Nunca use lana de acero.

### 📌 Nota!

- No ponga ropa en la lavadora durante la limpieza del tambor.

### Limpieza de la junta y el cristal de la puerta

Limpiar el cristal y sellar después de cada lavado.  
para quitar pelusas y manchas. Si se acumula pelusa, pueden producirse fugas.  
Retire las monedas, botones y otros objetos del sello después de cada lavado.



# MANTENIMIENTO

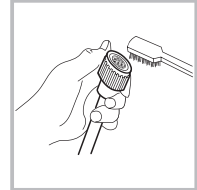
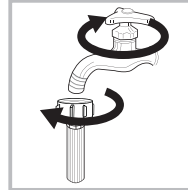
## Limpeza del filtro de entrada

### Nota!

- El filtro de entrada debe limpiarse si hay menos agua.

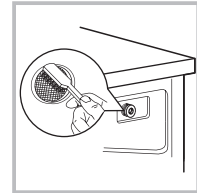
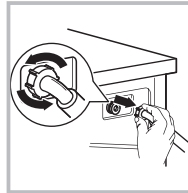
Lavar el filtro en el grifo

1. Cierre el grifo.
2. Retire la manguera de suministro de agua del grifo.
3. Limpie el filtro.
4. Vuelva a conectar la manguera de suministro de agua.



Lavado del filtro en lavadora:

1. Desenrosque el tubo de entrada desde la parte trasera de la máquina.
2. Saque el filtro con unos alicates de punta larga y vuelva a instalarlo después de lavarlo.
3. Utilice el cepillo para limpiar el filtro.
4. Vuelva a conectar el tubo de entrada.

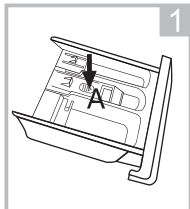


### Nota!

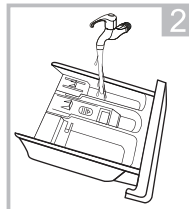
- Si el cepillo no está limpio, puede sacar el filtro lavado por separado;
- Vuelva a conectar, abra el grifo.

## Limpiar el dispensador de detergente

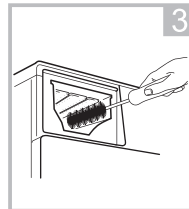
1. Presione hacia abajo la ubicación de la flecha en la cubierta del suavizante dentro del cajón dispensador.
2. Levante el clip y saque la cubierta del suavizante y lave todas las ranuras con agua.
3. Vuelva a colocar la tapa del suavizante y coloque el cajón en su posición.



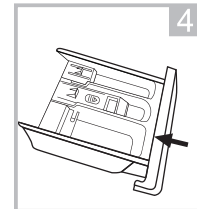
Extraiga el cajón dispensador presionando el botón A



Limpie el cajón dispensador con agua



Limpie el interior del hueco con un cepillo de dientes viejo.



Inserte el cajón dispensador

### Nota!

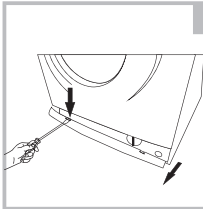
- No utilice alcohol, disolventes o productos químicos para limpiar la máquina.

# MANTENIMIENTO

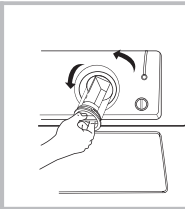
## Limpeza del filtro de la bomba de drenaje

### ⚠ Advertencia!

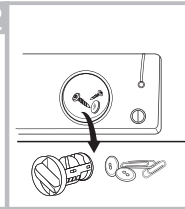
- ¡Cuidado con el agua caliente!
- Deje que la solución de detergente se enfríe.
- Desenchufe la máquina para evitar descargas eléctricas antes de lavar.
- El filtro de la bomba de drenaje puede filtrar los hilos y pequeñas materias extrañas del lavado.
- Limpie el filtro periódicamente para asegurar el funcionamiento normal de la lavadora.



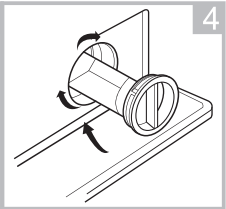
1  
Abra el filtro de servicio



2  
Abra el filtro girando hacia la izquierda



3  
Eliminar materia extraña



4  
Cierre la tapa de la cubierta inferior

### ⚠ Precaución!

- Asegúrese de que la tapa de la válvula y la manguera de drenaje de emergencia se vuelvan a instalar correctamente; las placas de la tapa deben insertarse alineadas con las placas de los orificios; de lo contrario, se puede filtrar agua;
- Algunas máquinas no tienen manguera de drenaje de emergencia, gire la tapa de la cubierta inferior directamente para que el agua corra hacia el recipiente.
- Cuando el aparato está en uso y dependiendo del programa seleccionado puede haber agua caliente en la bomba. Nunca quite la tapa de la bomba durante un ciclo de lavado, espere siempre hasta que el aparato haya terminado el ciclo y esté vacío. Cuando reemplace la cubierta, asegúrese de que esté bien apretada.

# MANTENIMIENTO

## ■ Solución de problemas

El arranque del aparato no funciona o se detiene durante el funcionamiento. Primero intente encontrar una solución al problema. De lo contrario, comuníquese con el centro de servicio.

Descripción	Razón	Solución
La lavadora no puede arrancar	La puerta no está cerrada correctamente	Reinicie después de cerrar la puerta Compruebe si la ropa está atascada
La puerta no se puede abrir	Seguridad de la lavadora el diseño de protección está funcionando	Desconecte la energía, reinicie el producto
Fuga de agua	La conexión entre la tubería de entrada o la manguera de salida no está apretada	Compruebe y sujete las tuberías de agua. Limpie la manguera de salida
Residuos de detergente en cajetín	El detergente está humedecido o aglomera	Limpiar y limpiar la caja de detergente
El indicador o la pantalla no se enciende	Desconecte la placa de circuito impreso de alimentación o el arnés tiene un problema de conexión	Compruebe si la alimentación está apagada y el enchufe de alimentación está conectado correctamente
Ruido anormal		Compruebe si se han quitado las fijaciones (pernos) Verifique que esté instalado en un piso sólido y nivelado

Descripción	Razón	Solución
<b>E30</b>	La puerta no está cerrada	Reinicie después de cerrar la puerta. Compruebe si la ropa está atascada
<b>E10</b>	Problema de inyección durante el lavado	Compruebe si la presión del agua es demasiado baja Enderece la tubería de agua Compruebe si el filtro de la válvula de entrada está bloqueado
<b>E21</b>	Drenaje de agua a deshoras	Compruebe si la manguera de desagüe está bloqueada
<b>E12</b>	Desbordamiento de agua	Reinicie la lavaseca
<b>EXX</b>	Otros	Vuelva a intentarlo primero, llame a la línea de servicio si aún hay problemas

### Nota!

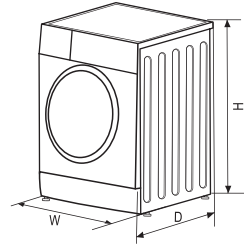
- Después de la verificación, active el aparato. Si ocurre el problema o la pantalla muestra otros códigos de alarma nuevamente, comuníquese con el servicio.

# MANTENIMIENTOS

## ■ Especificaciones técnicas

MAX.Current 10A

Presión de agua standard 0.05MPa~1MPa



Model	WT6508.0v
Potencia soportada	220-240V~,50Hz
Capacidad de lavado	8.0kg
Capacidad de secado	6.0kg
Dimensiones(W*D*H)	595*540*825
Peso	64kg
Potencia	1900W
Potencia de secado	1300W

# MAINTENANCES

**Supplier's name or trade mark:**

**Supplier's address (°):**

**Model identifier:** WT6508.0v

**General product parameters:**

Parameter	Value		Parameter	Value	
Rated capacity (kg)	Rated capacity <sup>(b)</sup>	6.0	Dimensions in cm	Height	83
	Rated washing capacity <sup>(b)</sup>	8.0		Width	60
				Depth	54
Energy Efficiency Index	EEl <sub>w</sub> <sup>(c)</sup>	60.0	Energy efficiency class	EEl <sub>w</sub> <sup>(c)</sup>	B
	EEl <sub>WD</sub> <sup>(b)</sup>	78.4		EEl <sub>WD</sub> <sup>(b)</sup>	E
Washing efficiency index	I <sub>w</sub> <sup>(d)</sup>	1.031	Rinsing effectiveness (g/kg dry textile)	I <sub>R</sub> <sup>(d)</sup>	5.0
	J <sub>w</sub> <sup>(b)</sup>	1.031		J <sub>R</sub> <sup>(b)</sup>	5.0
Energy consumption in kWh per kg per cycle, for the washing cycle of the household washer-dryer, using the eco 40-60 programme at a combination of full and partial loads. Actual energy consumption will depend on how the appliance is used	0.545		Energy consumption in kWh per kg per cycle, for the wash and dry cycle of the household washer-dryer at a combination of full and half loads. Actual energy consumption will depend on how the appliance is used	3.600	
Water consumption in litre per cycle, for the eco 40-60 programme at a combination of full and partial loads. Actual water consumption will depend on how the appliance is used and on the hardness of the water	48		Water consumption in litre per cycle, for the wash and dry cycle of the household washer-dryer at a combination of full and half loads. Actual water consumption will depend on how the appliance is used and on the hardness of the water	90	
Maximum temperature inside the treated textile (°C) <sup>(d)</sup>	Rated washing capacity	38	Remaining moisture content <sup>(d)</sup> (%)	Rated capacity	53.9
	Half	38		Half	53.9
	Quarter	21		Quarter	53.9
Spin speed (rpm) <sup>(d)</sup>	Rated washing capacity	1400	Spin-drying efficiency class <sup>(d)</sup>	B	
	Half	1400			
	Quarter	1400			
Eco 40-60 programme duration (h:min)	Rated washing capacity	3:38	wash and dry cycle duration (h:min)	Rated capacity	9:30
	Half	2:48		Half	6:40
	Quarter	2:48			



# MAINTENANCES

Airborne acoustical noise emissions during the spinning phase for the eco 40-60 washing cycle at rated washing capacity	76	Airborne acoustical noise emission class for the spinning phase for the eco 40-60 programme at rated washing	B
Type	[built-in/free-standing]	built-in	
Off-mode (W)	0.50	Standby mode (W)	1.00
Delay start (W) (if applicable)	4.00	Networked standby (W) (if applicable)	N/A

**Minimum duration of the guarantee offered by the supplier <sup>(c)</sup>:**

This product has been designed to release silver ions during the washing cycle	NO
--	----

**Additional information:**

Weblink to the supplier's website, where the information in point 9 of Annex II to Regulation (EU) 2019/2023 is found

<sup>(b)</sup>:

<sup>(b)</sup> for the eco 40-60 programme.

<sup>(b)</sup> for the wash and dry cycle

<sup>(c)</sup> changes to these items shall not be considered relevant for the purposes of paragraph 4 of Article 4 of Regulation (EU) 2017/1369.

<sup>(d)</sup> if the product database automatically generates the definitive content of this cell the supplier shall not enter these data.

# MANTENIMIENTO

## Note!

- Configuración del programa para la prueba de acuerdo con la norma aplicable En60456 para lavado.
- Configuración del programa para la prueba de acuerdo con la norma aplicable En50229 para lavar y secar.
- Cuando utilice los programas de prueba, lave la carga especificada utilizando la velocidad máxima de centrifugado.
- Los parámetros reales dependerán de cómo se use la aplicación y tal vez sean diferentes con los parámetros de la tabla mencionada anteriormente.
- La lavadora doméstica está equipada con un sistema de administración de energía. La duración del tiempo del modo de espera es menos de 10 minutos.
- Las emisiones de ruido durante el lavado / centrifugado para el ciclo de lavado estándar a plena carga.

## Observaciones:

La clase de eficiencia energética es de A (mayor eficiencia) a D (menor eficiencia) Consumo de energía por año, basado en 220 ciclos de lavado estándar para programa estándar a 60 ° C y 40 ° C a carga completa y parcial, y el consumo de la modos de bajo consumo. El consumo de energía real dependerá de cómo se utilice el aparato.

Consumo de agua por año basado en 220 ciclos de lavado estándar para programa estándar a 60 ° C y 40 ° C con carga total y parcial. El consumo real de agua dependerá de cómo se utilice el aparato.

Clase de eficiencia de centrifugado de G (menos eficiente) a A (más eficiente).

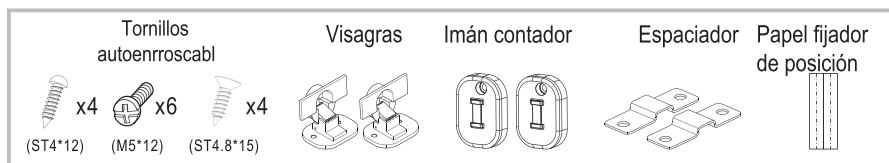
El programa estándar de 60 ° C y el programa estándar de 40 ° C son los programas de lavado estándar. Estos programas son adecuados para limpiar ropa de algodón con suciedad normal y son los programas más eficientes en términos de consumo combinado de energía y agua para lavar ese tipo de ropa de algodón. La temperatura real del agua puede diferir de la temperatura del ciclo declarada.

Elija el tipo de detergente adecuado para las distintas temperaturas de lavado para obtener el mejor rendimiento de lavado con menos consumo de agua y energía.

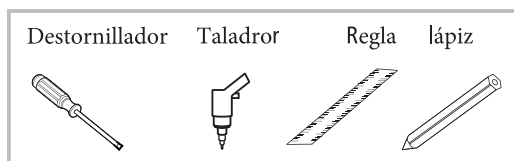
# MANTENIMIENTOS

## ■ Instrucciones de encastre

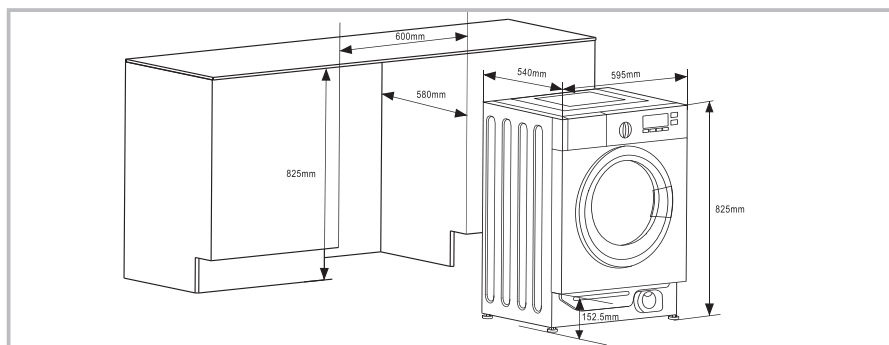
### Appendix



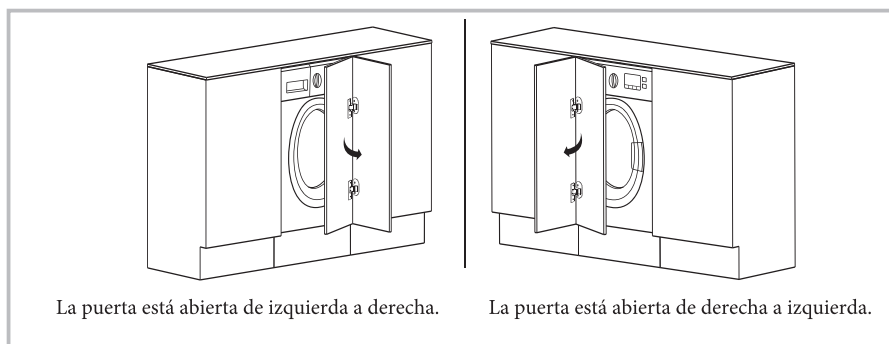
### Herramientas



### Pasos de instalación

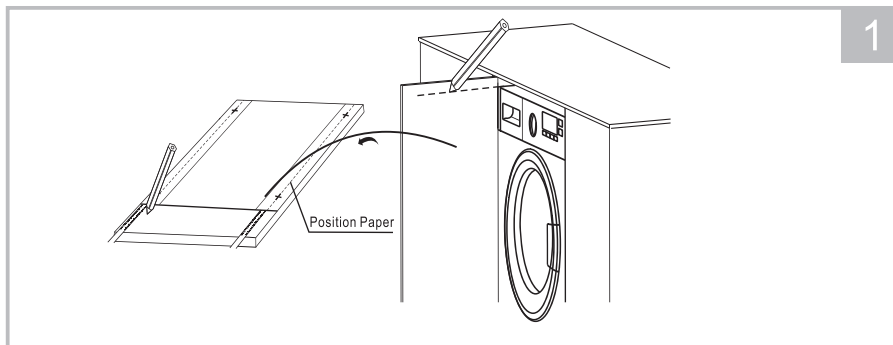


### Visión general

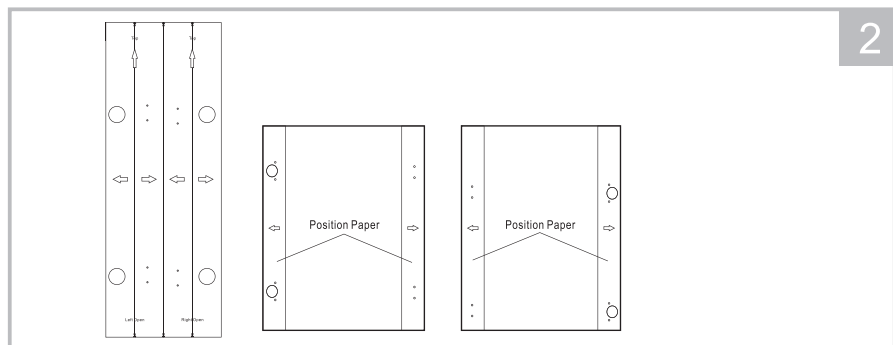


### Preparación y montaje de la puerta

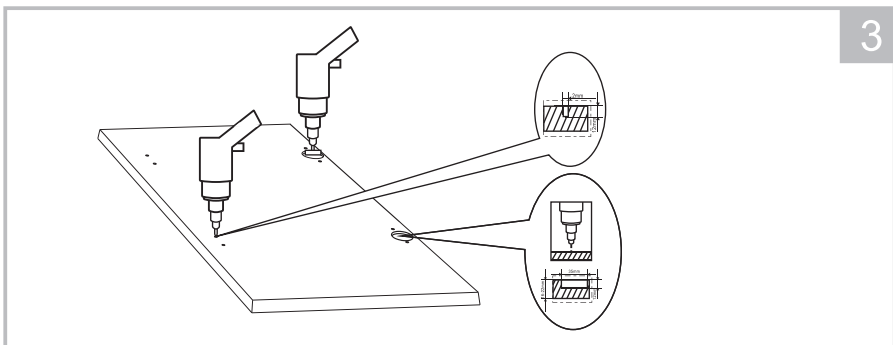
# MANTENIMIENTOS



Haz la marca en la puerta

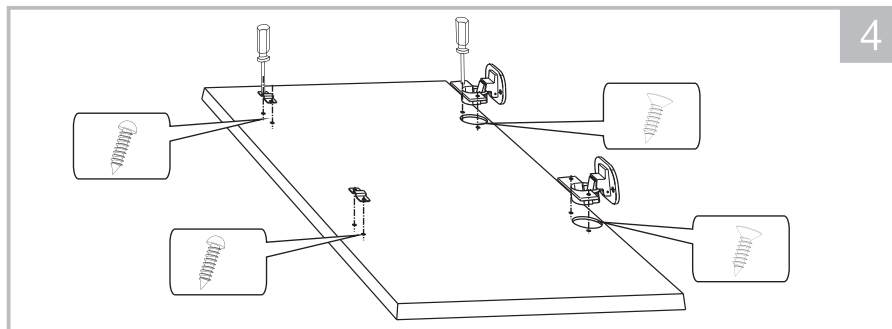


Papel de posición fija en la puerta.

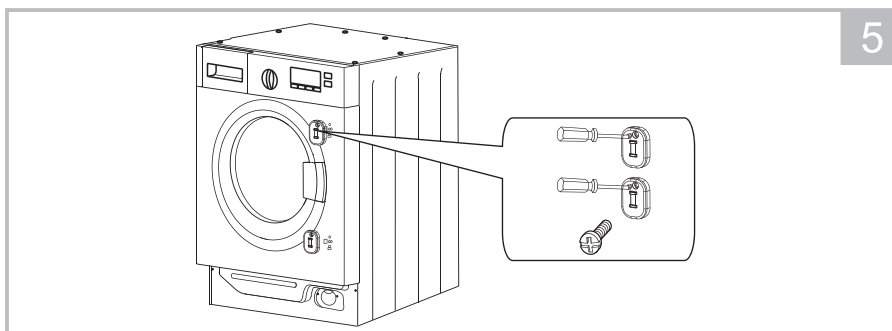


Taladrar la puerta

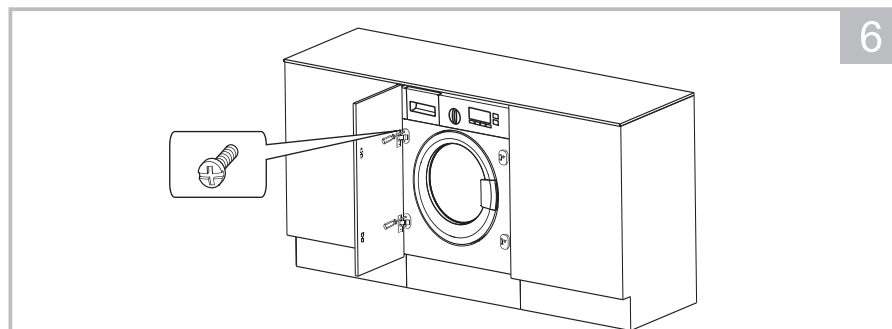
# MANTENIMIENTOS



Instalación de las bisagras y el espaciador



Instalación del contra imán



## INSTALACIÓN DE LA PUERTA

### ⚠ Advertencia!

- Al instalar el aparato en la cocina, asegúrese de que los muebles, si es posible, las mangueras se coloquen en cualquiera de los dos huecos en la parte posterior del aparato. Esto ayudará a evitar que las mangueras se doblen o se atasquen.

# CONTEÚDO

---

## INSTRUÇÕES DE SEGURANÇA

- Instruções de segurança ..... 2

## INSTALAÇÃO

- Descrição do Produto ..... 8
- Instalação ..... 9

## OPERAÇÕES

- Começo rápido ..... 12
- Antes de cada lavagem ..... 13
- Dispensador de Detergente..... 14
- Painel de controle..... 15
- Opção..... 16
- Outras funções..... 17
- Programas ..... 20
- Tabela de programas de lavagem..... 21

## MANUTENÇÕES

- Limpeza e cuidados..... 22
- Solução de problemas..... 25
- Especificações técnicas..... 26
- Fichas de produto ..... 27
- Built-in installation ..... 31

# INSTRUÇÕES DE SEGURANÇA

---

## ■ Instruções de segurança

Para sua segurança, as informações contidas neste manual devem ser seguidas para minimizar o risco de incêndio ou explosão, choque elétrico ou para evitar danos materiais, ferimentos pessoais ou morte. Explicação dos símbolos:

### Aviso!

Esta combinação de símbolo e palavra de sinalização indica uma situação potencialmente perigosa que pode resultar em morte ou ferimentos graves, a menos que seja evitada.

### Cuidado!

Esta combinação de símbolo e palavra de advertência indica uma situação potencialmente perigosa que pode resultar em ferimentos leves ou danos à propriedade e ao meio ambiente.

### Nota!

Esta combinação de símbolo e palavra de aviso indica uma situação potencialmente perigosa que pode resultar em ferimentos leves ou danos.

### Aviso!

#### O choque elétrico!

- Se o cabo de alimentação estiver danificado, deve ser substituído pelo fabricante, seu agente de serviço ou pessoas igualmente qualificadas para evitar perigos.

## INSTRUÇÕES DE SEGURANÇA

---

- Os novos conjuntos de mangueiras fornecidos com o aparelho devem ser usados e os conjuntos de mangueiras antigos não devem ser reutilizados.
- Antes de qualquer manutenção no aparelho, desligue o aparelho da rede elétrica.
- Sempre desligue a máquina e feche o abastecimento de água após o uso. O max. pressão da água de entrada, em pascais. Eles dentro. pressão da água de entrada, em pascais.
- Para garantir sua segurança, o plugue de alimentação deve ser inserido em uma tomada tripolar aterrada. Verifique cuidadosamente e certifique-se de que o soquete esteja aterrado de maneira adequada e confiável.
- Certifique-se de que a água e os dispositivos elétricos sejam conectados por um técnico qualificado de acordo com as instruções do fabricante e os regulamentos de segurança locais.

### **Risco para as crianças!**

- Países EN: o aparelho pode ser usado por crianças com idade igual ou superior a 8 anos e pessoas com capacidades físicas, sensoriais ou mentais reduzidas ou com falta de experiência e conhecimento, caso tenham recebido supervisão ou instruções sobre o uso do aparelho de forma segura e compreender os perigos envolvidos. As crianças não devem brincar com o aparelho. A limpeza e manutenção do usuário não devem ser feitas por crianças sem supervisão.
- Crianças com menos de 3 anos devem ser supervisionadas para garantir que não brinquem com o aparelho.
- Animais e crianças podem entrar na máquina. Verifique a máquina antes de cada operação.
- As crianças devem ser vigiadas para que não brinquem com o aparelho.



## INSTRUÇÕES DE SEGURANÇA

- A porta de vidro pode ficar muito quente durante a operação. Durante a operação, mantenha crianças e animais de estimação longe da máquina em ambientes muito úmidos, bem como em ambientes com gás explosivo ou cáustico.
- Remova todas as embalagens e parafusos de transporte antes de usar o aparelho. Caso contrário, podem ocorrer sérios danos.
- O plugue deve estar acessível após a instalação.

### Risco de explosão!

Não lave ou seque artigos que tenham sido limpos, lavados, embebidos ou borrifados com substâncias combustíveis ou explosivas (como cera, óleo, tinta, gasolina, desengraxantes, solventes de lavagem a seco, querosene, etc.). Isso pode resultar em incêndio ou explosão.

- Antes das mãos, enxágue bem as peças de roupa lavadas à mão.

### ⚠ Cuidado!

### Instalando o produto!

- Esta máquina de lavar é apenas para uso interno.
- Não se destina a ser usado embutido.
- As aberturas não devem ser obstruídas por um tapete.
- A máquina de lavar não deve ser instalada em salas de banho ou muito úmidas, bem como em salas com gases explosivos ou cáusticos.
- A máquina de lavar com válvula de entrada única só pode ser conectada ao abastecimento de água fria. O produto com válvulas de entrada dupla deve ser conectado corretamente à água quente e à água fria.
- O plugue deve estar acessível após a instalação.

## INSTRUÇÕES DE SEGURANÇA

---

- Remova todos os pacotes e parafusos de transporte antes de usar o aparelho. Caso contrário, podem ocorrer sérios danos.

### Risco de danificar o aparelho!

- O seu produto destina-se apenas a uso doméstico e foi concebido apenas para têxteis adequados para lavagem na máquina.
- Não suba e sente-se na tampa superior da máquina.
- Não se encoste na porta da máquina.
- Cuidados durante o manuseio da máquina:
  1. Os parafusos de transporte devem ser reinstalados na máquina por uma pessoa especializada.
  2. A água acumulada deve ser drenada para fora da máquina.
  3. Manuseie a máquina com cuidado. Nunca segure cada parte saliente da máquina enquanto a levanta. A porta da máquina não pode ser usada como alça durante o transporte.
  4. Este aparelho é pesado. Transporte com cuidado.
- Não feche a porta com força excessiva. Se tiver dificuldade em fechar a porta, verifique se as roupas estão colocadas ou bem distribuídas.
- É proibido lavar tapetes.

### Operação do aparelho!

- Antes de lavar a roupa pela primeira vez, o produto deve ser operado em uma rodada de todos os procedimentos sem a roupa por dentro.
- Solventes inflamáveis e explosivos ou tóxicos são proibidos. Gasolina e álcool, etc., não devem ser usados como detergentes. Selecione apenas os detergentes adequados para lavagem na máquina, especialmente para tambor.

# INSTRUÇÕES DE SEGURANÇA

---

- Certifique-se de que todos os bolsos estejam vazios. Itens afiados e rígidos, como moeda, broche, prego, parafuso ou pedra, etc., podem causar sérios danos a esta máquina.
- Verifique se a água dentro do tambor foi drenada antes de abrir a porta. Não abra a porta se houver água visível.
- Cuidado com as queimaduras quando o produto drena a água quente da lavagem.
- Nunca reabasteça a água com as mãos durante a lavagem.
- Após a conclusão do programa, aguarde dois minutos para abrir a porta.

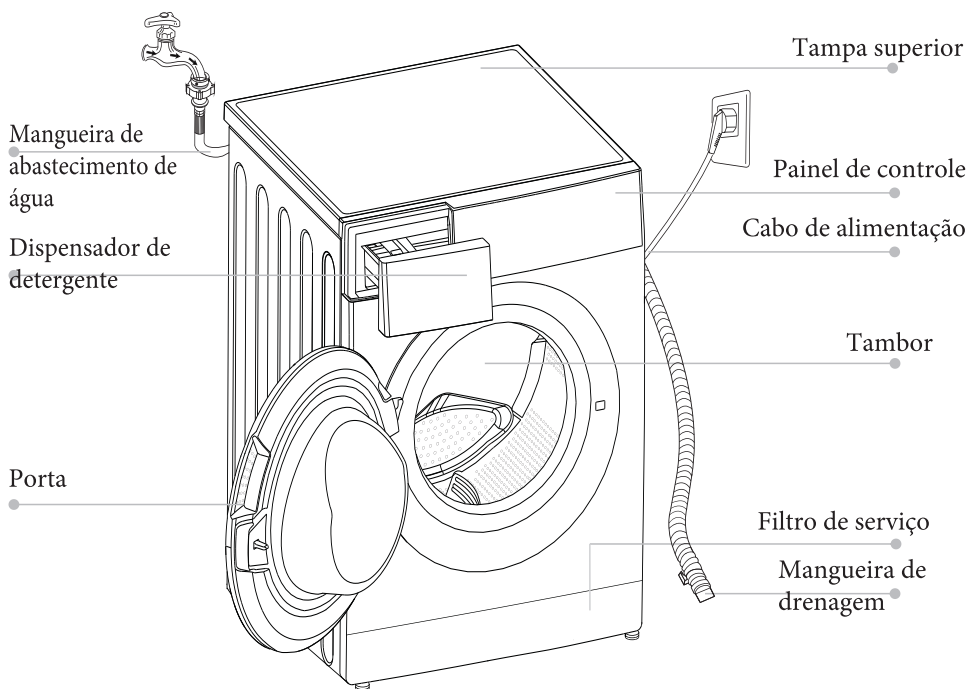
## Embalagem / aparelho antigo



Esta marca indica que este produto não deve ser eliminado com outros resíduos domésticos em toda a UE. Para evitar possíveis danos ao ambiente ou à saúde humana devido à eliminação descontrolada de resíduos, recicle-o de forma responsável para promover a reutilização sustentável dos recursos materiais. Para devolver o seu dispositivo usado, use os sistemas de coleta ou entre em contato com o revendedor onde o produto foi adquirido. Eles retornam e podem levar este produto para reciclagem segura para o meio ambiente.

# INSTALAÇÃO

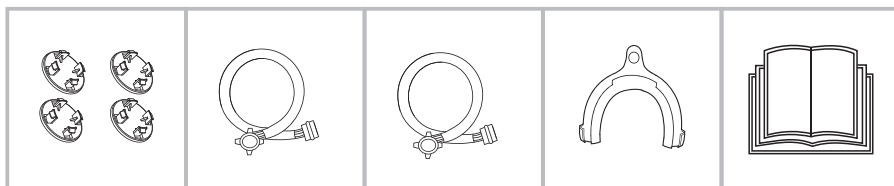
## ■ Descrição do Produto



### 📌 Nota!

- O gráfico de linha de produtos é apenas para referência, consulte o produto real como padrão.

## Accessórios



Tampão do orifício de transporte

Fornecimento de água fria para mangueira

Abasteça a mangueira com água (opcional)

Mangueira de drenagem (opcional)

Manual do proprietário

# INSTALAÇÃO

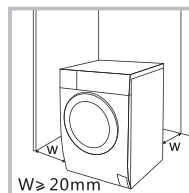
## ■ Instalação

### Área de instalação

#### ⚠ Aviso!

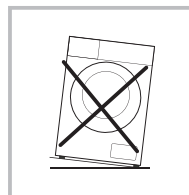
A estabilidade é importante para evitar que o produto divague!

- Certifique-se de que o produto não fique sobre o cabo de alimentação.



Antes de instalar a máquina, o local caracterizado como segue deve ser selecionado:

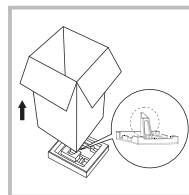
1. Superfície rígida, seca e nivelada
2. Evite luz solar direta
3. Ventilação suficiente
4. A temperatura ambiente está acima de 0 °C
5. Mantenha longe de fontes de calor, como carvão ou gás.



### Desempacotar a máquina de lavar

#### ⚠ Warning!

- O material de embalagem (por exemplo, filmes, isopor) pode ser perigoso para as crianças.
- Existe perigo de asfixia! Mantenha todas as embalagens fora do alcance das crianças.



1. Remova a caixa de papelão e a embalagem de isopor.
2. Levante a máquina de lavar e remova a embalagem de base. Certifique-se de que o pequeno triângulo de espuma seja removido com o de baixo junto. Caso contrário, coloque a unidade com a superfície lateral e remova a pequena espuma da parte inferior da unidade manualmente.
3. Remova a fita que prende o cabo de alimentação e a mangueira de drenagem.
4. Remova a mangueira de entrada do tambor.

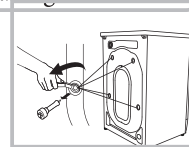
### Remove transport bolts

#### ⚠ Warning!

- Você deve remover os parafusos de transporte da parte traseira antes de usar o produto. Você precisará dos parafusos de transporte novamente se mover o produto, portanto, certifique-se de mantê-los em um local seguro.

Siga os seguintes passos para remover os parafusos:

1. Afrouxe 4 parafusos com uma chave inglesa e remova-os.
2. Feche os orifícios com tampões para orifícios de transporte.
3. Guarde os parafusos de transporte adequadamente para uso futuro.



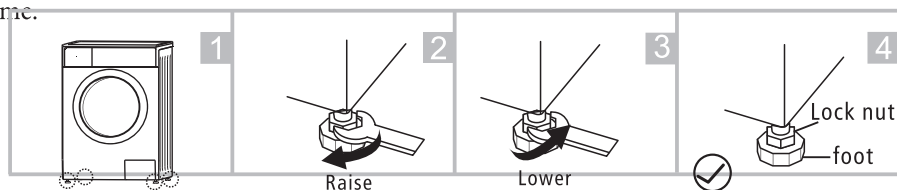
# INSTALAÇÃO

## Nivelando a máquina de lavar

### ⚠ Warning!

- As porcas de segurança em todos os quatro pés devem ser aparafusadas firmemente contra o alojamento.

1. Verifique se as pernas estão bem presas ao gabinete. Caso contrário, coloque-os nas posições originais e aperte as porcas.
2. Afrouxe a porca de travamento e gire os pés até que entre em contato direto com o chão.
3. Ajuste as pernas e trave-as com uma chave inglesa, certifique-se de que a máquina esteja firme.



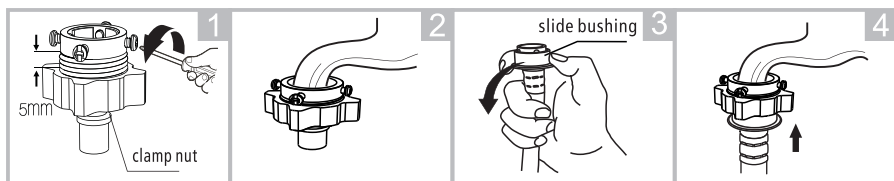
## Conexão da mangueira de abastecimento de água

### ⚠ Warning!

Para evitar vazamento ou danos por água, siga as instruções neste capítulo !

- Não dobre, amasse, modifique ou corte a mangueira de entrada de água.
- Para o modelo equipado com válvula quente, conecte-a a torneira de água quente com mangueira de abastecimento de água quente. O consumo de energia diminuirá automaticamente para alguns programas.

Conecte o tubo de entrada conforme indicado. Existem duas maneiras de conectar o tubo de entrada. 1. Conexão entre a torneira comum e a mangueira de entrada.



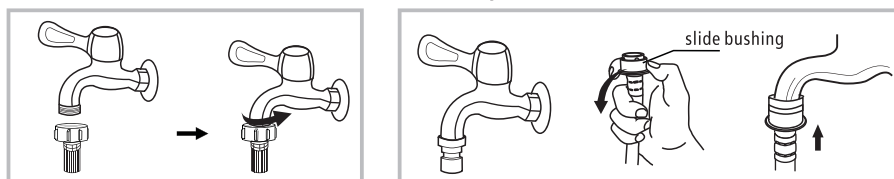
Afrouxe a porca da braçadeira e quatro parafusos

Aperte a porca da braçadeira

Pressione a bucha deslizante, insira a mangueira de entrada na base de conexão

Conexão finalizada

2. Conexão entre a torneira de rosca e a mangueira de entrada.

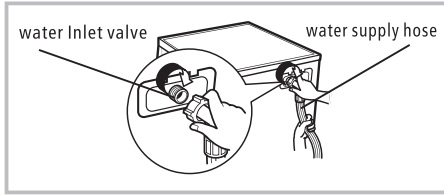


Toque com roscas e mangueira de entrada

Torneira especial para máquina de lavar

# INSTALAÇÃO

Conecte a outra extremidade do tubo de entrada à válvula de entrada na parte traseira do produto e aperte bem o tubo no sentido horário.



## Mangueira de drenagem

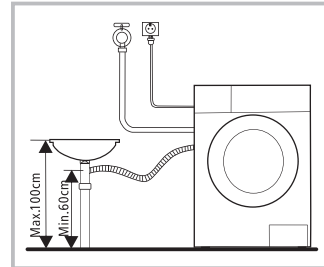
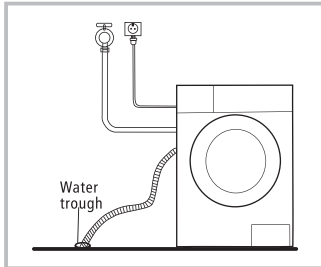
### ⚠ Warning!

- Não dobre ou prolongue a mangueira de drenagem.
- Posicione a mangueira de drenagem corretamente, caso contrário, podem ocorrer danos ao vazamento de água.

Existem duas maneiras de colocar a extremidade da mangueira de drenagem:

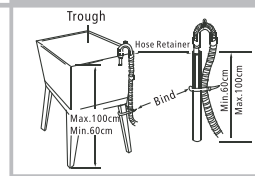
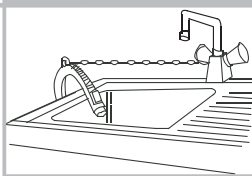
1. Coloque na gamela de água.

2. Ligue-o ao tubo de drenagem da calha.



### 📌 Note!

- Se a máquina tiver suporte para mangueira de drenagem, instale-o da seguinte forma.



### ⚠ Warning!

- Ao instalar a mangueira de drenagem, fixe-a corretamente com uma corda. Se a mangueira de escoamento for muito longa, não a force na máquina de lavar, pois poderá causar ruídos anormais.

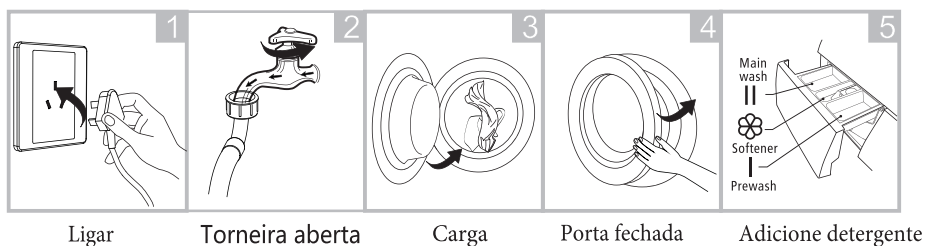
# OPERAÇÕES

## ■ Começo rápido

### ⚠ Caution!

- Antes de lavar, certifique-se de que está instalado corretamente. Antes da primeira lavagem, a máquina de lavar deve ser operada em uma rodada de todos os procedimentos sem roupa da seguinte maneira.

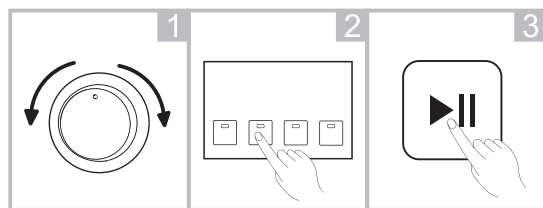
### 1. Antes de lavar



### 📌 Note!

- É necessário adicionar detergente no "caso I" após a seleção da pré-lavagem para máquinas com esta função.

### 2. Lavagem



### 📌 Note!

- Se o padrão for selecionado, a etapa 2 pode ser ignorada.
- 2. O gráfico de linha do botão de função é apenas para referência, consulte o produto real como padrão.

### 3. Após a lavagem

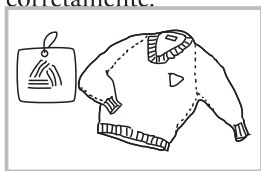
A fechadura da porta e as luzes [Iniciar / Pausa] piscam com a campainha tocando ou dois pequenos pontos piscam na tela digital.



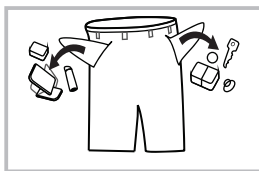
# OPERAÇÕES

## ■ Antes de cada lavagem

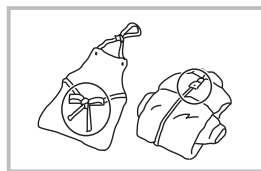
- A condição de trabalho da lavadora deve ser (0-40) ° C. Se usada abaixo de 0 ° C, a válvula de admissão e o sistema de drenagem podem ser danificados. Se a máquina for colocada sob uma condição de 0 ° C ou menos, ela deve ser transferida para a temperatura ambiente normal para garantir que a mangueira de abastecimento de água e a mangueira de drenagem não congelem antes do uso.
- Verifique as etiquetas e a explicação de como usar detergente antes da lavagem. Use detergente sem espuma ou com menos espuma adequado para lavagem na máquina corretamente.



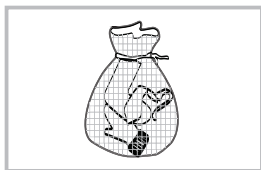
Verifique a etiqueta



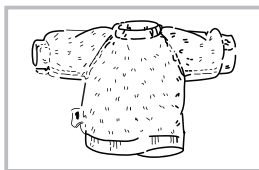
Retire os itens dos bolsos



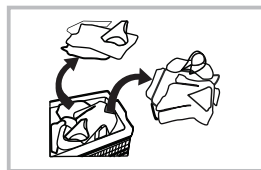
Dê um nó nas tiras longas, zíper ou botão



Coloque roupas pequenas na fronha



Vire o tecido de pêlo longo e fácil do avesso



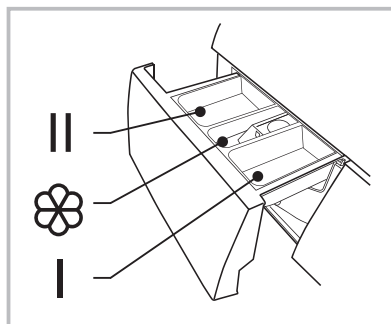
Roupas separadas com texturas diferentes

### ⚠ Warning!

- Ao lavar uma única roupa, pode facilmente causar grande excentricidade e dar alarme pelo grande desequilíbrio. Portanto, sugere-se adicionar mais uma ou duas roupas para serem lavadas juntas para que o escoamento seja feito sem problemas.
- Não lave as roupas com querosene, gasolina, álcool e outros materiais inflamáveis.

# OPERAÇÕES

- Dispensador de Detergente
- I Detergente de pré-lavagem
- || Detergente de lavagem principal
- ☼ Amaciante



Retire o dispensador

## ⚠ Caution!

- O detergente só precisa de ser adicionado no "caso I" após a seleção da pré-lavagem para máquinas com esta função.

Programme	I		☼	Programme	I		☼
Cotton		●	○	Dry Only			
1 Hour W/D		●	○	Spin Only			
Jeans		●	○	Quick		●	○
Mix		●	○	Sport Wear		●	○
Wool		●	○	Baby Care		●	○
Rinse&Spin			○	Wash and Dry		●	○
ECO 40-60		●	○	Intensive		●	○
20°C		●	○				

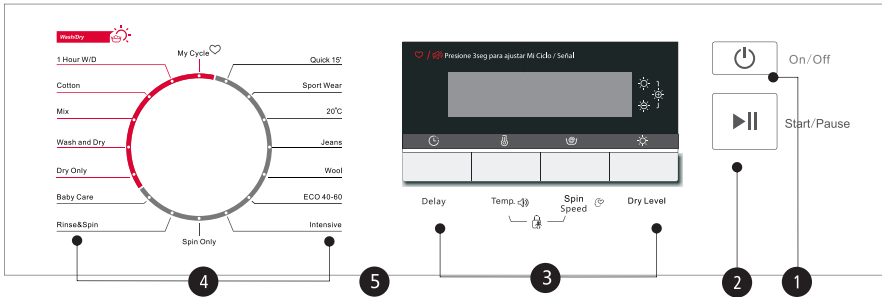
● Means must      ○ Means optional

## 📌 Note!

- Quanto ao detergente ou aditivo aglomerado ou viscoso, antes de ser despejado na caixa de sabão, sugere-se usar um pouco de água para diluição para evitar que a entrada da caixa de sabão fique entupida e transborde durante o enchimento da água.
- Escolha o tipo de detergente adequado para as várias temperaturas de lavagem para obter o melhor desempenho de lavagem com menos consumo de água e energia.

# OPERAÇÕES

## ■ Control Panel



### Note!

- O gráfico é apenas para referência, consulte o produto real como padrão.

#### 1 Off

O produto está desligado.

#### 2 Iniciar / Pausar

Pressione o botão para iniciar ou pausar o ciclo de lavagem.

#### 3 Opção

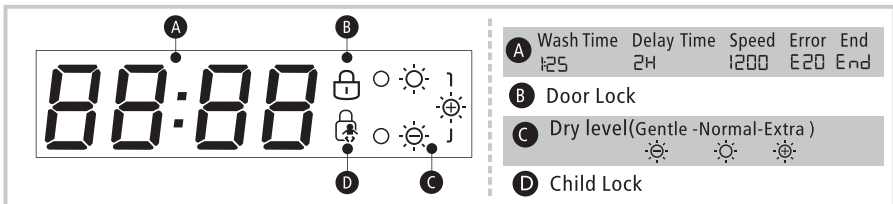
Isso permite que você selecione uma função adicional e acenderá quando selecionado.

#### 4 Programas

Disponível de acordo com o tipo de roupa.

#### 5 Display

O visor mostra as configurações, tempo restante estimado, opções e mensagens de status da lavadora. O display permanecerá ligado durante todo o ciclo.



# OPERAÇÕES

## ■ OPÇÕES

Delay

Demora

Defina a função de atraso:

1. Selecione um programa; 2. Pressione o botão Atraso para escolher o tempo (o tempo de atraso é 0-24 H.); 3. Pressione [Iniciar / Pausa] para iniciar a operação de retardo



Cescolha a hora de início de configuração do programa

Cancele a função de atraso:

Pressione o botão [Delay] até que o display seja 0H. Deve ser pressionado antes de iniciar o programa. Se o programa já foi iniciado, deve desligar o programa para redefinir um novo.

### ! Caution!

- Se houver alguma quebra no fornecimento de energia durante o funcionamento da máquina, uma memória especial armazena o programa selecionado e quando a energia é reiniciada, o programa continua.

Programme	Option	Programme	Option
	Delay		Delay
Cotton	<input type="radio"/>	Dry Only	<input type="radio"/>
1 Hour W/D	<input type="radio"/>	Spin Only	<input type="radio"/>
Jeans	<input type="radio"/>	Quick	<input type="radio"/>
Mix	<input type="radio"/>	Sport Wear	<input type="radio"/>
Wool	<input type="radio"/>	Baby Care	<input type="radio"/>
Rinse&Spin	<input type="radio"/>	Wash and Dry	<input type="radio"/>
ECO 40-60	<input type="radio"/>	Intensive	<input type="radio"/>
20°C	<input type="radio"/>		

Means optional

# OPERATIONS

## ■ Other Functions



### My Cycle

Memorize os programas usados com frequência

Pressione [ ] 3 seg. para memorizar o programa em execução. O padrão é algodão.



### Child Lock

Para evitar operação incorreta por crianças.



On/Off



Start/Pause



Pressione [Temp.] E

[Velocidade] 3 seg. até a campainha apitar.



## ⚠ Caution!

- Pressione os dois botões 3seg. também para ser liberada a função.
- O “Child Lock” bloqueará todos os botões, exceto [On / Off].
- Corte o fornecimento de energia, a proteção da criança será liberada.
- O bloqueio para crianças permanecerá efetivo quando a alimentação for reiniciada para alguns modelos.



### Velocidade

Pressione o botão para alterar a velocidade de centrifugação.

Programme	Default Speed(rpm)	Programme	Default Speed(rpm)
	1400		1400
Quick	800	Rinse&Spin	1000
Sport Wear	800	Baby care	800
20°C	1000	Dry Only	1400
Jeans	1000	Wash and Dry	1400
Wool	600	Mix	800
ECO 40-60	1400	Cotton	1400
Intensive	800	1 Hour W/D	1400
Spin only	1000		

## ⚠ Caution!

- Quando as luzes de velocidade estão apagadas significa que a velocidade de rotação é 0.

# OPERATIONS

---

Temp.

Temp.

Pressione o botão para regular a temperatura (Frio, 20 °C, 30 °C, 40 °C, 60 °C, 90 °C)

---



Silenciar a campainha



On/Off

Start/Pause

Pressione o botão [Temp.] Por 3 segundos.  
A campainha está sem som.

Para ativar a função de campainha, pressione o botão novamente por 3 segundos. A configuração será mantida até a próxima reinicialização.

## ⚠ Caution!

- Após silenciar a função de campainha, os sons não serão mais ativados.

# OPERATIONS

---



## Nível Seco

Pressione o botão Nível de Seco continuamente para escolher o nível de Secagem: Seco Extra / Seco Normal / Seco Suave.

☀ Extra Seco: É necessário usar roupas imediatamente, podemos escolher esta função

☀ Secagem Normal: O procedimento de secagem normal

☀ Secagem Suave: Apenas para secar um pouco e depois está apenas ok.

## Note!

- Dicas de secagem
  - As roupas podem ser secas após a fiação
  - Para garantir a secagem de qualidade dos têxteis, classifique-os de acordo com o tipo e a temperatura de secagem.
  - Sintético deve ser definido o tempo de secagem adequado.
  - Se quiser passar a roupa após a secagem, coloque-a um pouco.
- Roupas não adequadas para secar
  - Itens particularmente delicados como cortinas sintéticas, lã e seda, roupas com inserções de metal, meias de náilon, roupas volumosas como anoraques, colchas, colchas, sacos de dormir e edredons não devem ser secos.
  - Roupas acolchoadas com espuma de borracha ou materiais semelhantes a espuma de borracha não devem ser secas na máquina.
  - Os tecidos que contenham resíduos de loções de fixação ou sprays para os cabelos, solventes para unhas ou soluções semelhantes não devem ser secos na máquina para evitar a formação de vapores nocivos.

# OPERATIONS

## ■ Programmes

Programmes are available according to the laundry type.

Programmes	
Cotton	Têxteis de desgaste, têxteis resistentes ao calor em algodão ou linho.
Baby Care	Foi dobrar as roupas do bebê, pode deixar o bebê mais limpo. e melhorar o desempenho do enxágue para proteger a pele do bebê.
Jeans	Especialmente para jeans.
Mix	Carga mista composta por tecidos de algodão e sintéticos.
Sport Wear	Lavando o activewear.
Quick	Programa extra curto aprox, adequado para roupas levemente sujas como pequenas quantidades de roupa.
Wool	Lã lavável na máquina ou tecidos de lã rica. Programa de lavagem especialmente suave para evitar o encolhimento, pausas mais longas do programa (os têxteis permanecem na solução de lavagem).
Spin Only	Rotação extra com velocidade de rotação selecionável.
Rinse&Spin	Extra enxágue com centrifugação.
Dry Only	Selecione para secar roupas, a temperatura é diferente. O tempo de secagem de acordo com a carga.
1 Hour W/D	Para pequenas roupas ou camisas sintéticas, a limitação de carga é de 1 kg (cerca de 4 camisas). Quando você tem uma consulta urgente, mas não há mais nenhuma camisa limpa deixada em seu armário, este programa irá ajudá-lo. O tempo de duração é de apenas 1 hora incluindo lavagem e secagem. Observação: Toalhas grandes ou jeans não são adequados para este programa, pois aumentam o tempo de duração e afetam o teor de umidade.
ECO 40-60	Lavando roupas de cores vivas, pode proteger melhor as cores. Padrão 40 °C, não selecionável, adequado para lavagem de roupas em cerca de 40 °C -60 °C.
Intensive	Para aumentar os efeitos de lavagem, o tempo de lavagem é aumentado.
20°C	20 °C padrão, pode escolher água fria.
Wash and Dry	O programa de energia padrão.



### Note!

Consulte o seu produto para selecionar os programas.



# OPERATIONS

## ■ Washing Programmes Table

Programme	Washing/Drying Load (kg)	Temp.(°C)	Default Time(H)
	8.0	Default	8.0
			1400
Quick	2.0	Cold	0:15
Sport Wear	4.0	40	1:11
20°C	4.0	20	1:01
Jeans	8.0	60	1:45
Wool	2.0	40	1:07
ECO 40-60	8.0	–	3:35
Intensive	8.0	40	3:48
Spin only	8.0	–	0:12
Rinse&Spin	8.0	–	0:20
Baby care	8.0	60	1:43
☀ Dry Only	6.0	–	4:14
☀ Wash and Dry	8.0/6.0	–	5:00
☀ Mix	8.0/6.0	40	1:20
☀ Cotton	8.0/6.0	40	3:49
☀ 1Hour W/D	1.0/1.0	Cold	0:58

• No que diz respeito ao Regulamento (UE) n.º 1061/2010,  
A classe de eficiência energética da UE é: A  
Programa de teste de energia: Intensivo; Velocidade: A velocidade mais alta;  
Temp.: 60 °C; Outro como o padrão. Carga média para máquina de 8,0 kg: 4,0 kg.

• Em relação ao Regulamento (UE) 2019/2023,  
A classe de eficiência energética da UE é: E  
Programa de teste de energia: ECO 40-60 / Wash & Dry.  
ECO 40-60: como padrão

Meia carga para máquina de 8,0 kg: 4,0 kg.

Carga trimestral para máquina de 8,0 kg: 2,0 kg.

Lavar e secar: nível seco: (Extra seco), Outro como o padrão.

Meia carga para máquina de 6.0 kg: 3.0kg.

### Note!

- Os parâmetros nesta tabela são apenas para referência do usuário. Os parâmetros reais podem ser diferentes dos parâmetros da tabela mencionada acima.

# MANUTENÇÕES

---

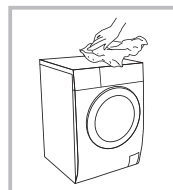
## ■ Limpeza e cuidados

### Warning!

- Antes de iniciar a manutenção, desligue a máquina e feche a torneira.

### Limpendo o Gabinete

A manutenção adequada da máquina de lavar pode estender sua vida útil. A superfície pode ser limpa com diluído de detergentes neutros não abrasivos quando necessário. Se houver transbordamento de água, use o pano úmido para limpá-lo imediatamente. Não são permitidos itens pontiagudos.



### Note!

- O ácido fórmico e seus solventes diluídos ou equivalentes são proibidos, como álcool, solventes ou produtos químicos, etc.

### Limpendo o tambor

As ferrugens deixadas dentro do tambor pelos artigos de metal devem ser removidas imediatamente com detergentes sem cloro.

Nunca use lã de aço.

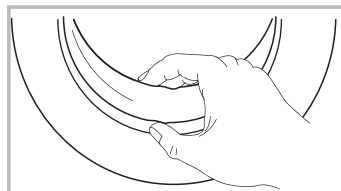
### Note!

- Não coloque roupa na máquina de lavar durante a limpeza do tambor.

## Limpendo a vedação da porta e o vidro

Limpe o vidro e sele após cada lavagem para remover fiapos e manchas. O acúmulo de fiapos pode causar vazamentos.

Remova todas as moedas, botões e outros objetos do lacre após cada lavagem.



# MANUTENÇÕES

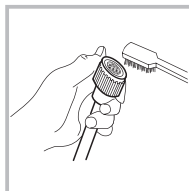
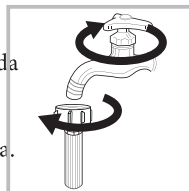
## Limpendo o filtro de entrada

### Note!

- O filtro de entrada deve ser limpo se houver menos água.

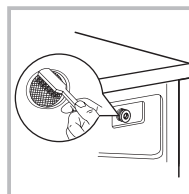
### Lavando o filtro na torneira

1. Feche a torneira.
2. Remova a mangueira de abastecimento de água da torneira.
3. Limpe o filtro.
4. Reconecte a mangueira de abastecimento de água.



### Lavar o filtro na máquina de lavar:

1. Desaparafuse o tubo de entrada da parte traseira da máquina.
2. Retire o filtro com um alicate de bico longo e reinstale-o após a lavagem.
3. Use a escova para limpar o filtro.
4. Reconecte o tubo de entrada.

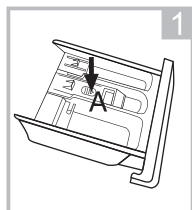


### Note!

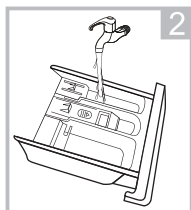
- Se a escova não estiver limpa, pode retirar o filtro lavado separadamente;
- Reconecte, abra a torneira.

## Limpe o dispensador de detergente

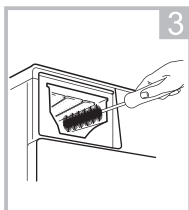
1. Pressione o local da seta na tampa do amaciante dentro da gaveta do dispensador.
2. Levante o grampo e retire a tampa do amaciante e lave todas as ranhuras com água.
3. Recoloque a tampa do amaciante e empurre a gaveta para a posição.



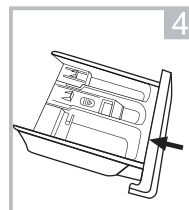
Puxe a gaveta do dispensador pressionando o botão A



Limpe a gaveta do dispensador debaixo de água



Limpe dentro do recesso com uma escova de dentes velha



Insira a gaveta do dispensador

### Note!

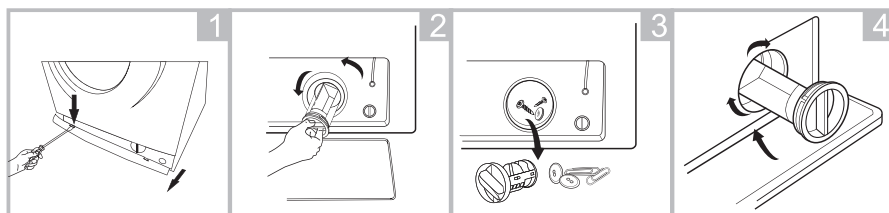
- Não use álcool, solventes ou produtos químicos para limpar a máquina.

# MANUTENÇÕES

## Limpendo o filtro da bomba de drenagem

### ⚠ Warning!

- Cuidado com a água quente!
  - Deixe a solução de detergente esfriar down.
- Desligue a máquina para evitar choque elétrico antes de lavar.
- O filtro da bomba de drenagem pode filtrar os fios e pequenos corpos estranhos da lavagem.
- Limpe o filtro periodicamente para garantir o funcionamento normal da máquina de lavar.



1 Abra o filtro de serviço

2 Abra o filtro girando no sentido anti-horário

3 Remover matéria estranha

4 Feche a tampa inferior

### ⚠ Caution!

- Certifique-se de que a tampa da válvula e a mangueira de drenagem de emergência sejam reinstaladas corretamente, as placas da tampa devem ser inseridas alinhadas às placas dos orifícios, caso contrário, pode haver vazamento de água;
- Algumas máquinas não têm mangueira de drenagem de emergência, gire a tampa inferior diretamente para fazer a água correr para a bacia.
- Quando o aparelho está em uso e dependendo do programa selecionado, pode haver água quente na bomba. Nunca retire a tampa da bomba durante um ciclo de lavagem, espere sempre até que o aparelho termine o ciclo e esteja vazio. Ao recolocar a tampa, certifique-se de que ela esteja bem apertada.

# MANUTENÇÕES

## ■ Solução de problemas

O arranque do aparelho não funciona ou pára durante o funcionamento. Primeiro, tente encontrar uma solução para o problema. Caso contrário, entre em contato com a central de atendimento.

Problema	Razão	Solução
A máquina de lavar roupa não inicia		Verifique se a porta está bem fechada. Verifique se o plugue está conectado corretamente. Verifique se a torneira está aberta. Verifique se você pressionou o botão Iniciar / Pausa.
A porta não abre	O bloqueio da máquina está ativado.	Desligue a máquina de lavar roupa.
Falha de aquecimento	O NTC está danificado e o tubo de aquecimento é velho	Você pode lavar suas roupas com água fria, entre em contato com o serviço técnico o mais rápido possível.
Há um vazamento de água	A conexão entre a entrada ou tubo de drenagem e a torneira ou a lavadora de roupas não está apertada ou entupida.	Verifique e aperte os canos de água. Limpe o tubo de drenagem e peça a um especialista para repará-lo.
A água sai debaixo da máquina	O tubo de entrada não está conectado corretamente O tubo de drenagem tem vazamento de água.	Fixe o tubo de entrada. Substitua o tubo de drenagem.
O indicador ou a tela não acende	A máquina está desligada Há um problema na caixa do computador.	Verifique se há energia e se o plugue está conectado corretamente, caso contrário, ligue para o suporte técnico.
Restos de detergente en el cajetín	El polvo de lavado está húmedo y apelmazado.	Limpie el cajetín. Utilice detergentes líquidos o detergentes especiales para lavadora de tambor.
O resultado da lavagem não é bom	As roupas estão muito sujas. Quantidade de detergente insuficiente	Selecione um programa apropriado. Adicione a quantidade adequada de detergente de acordo com as instruções no recipiente de detergente.
Ruído anormal Grande vibração		Verifique se os parafusos de fixação foram removidos. Se a lavadora de roupas estiver em um piso firme e plano. Verifique se há pinos de metal, fivelas ou objetos dentro. Verifique se as pernas da máquina de lavar roupa são.

# MAINTENANCES

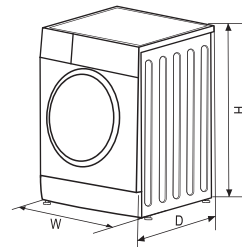
Description	Reason	Solution
E30	A porta não está fechada corretamente	Reinicie depois que a porta for fechada Verifique se a roupa está presa
E10	Problema de injeção de água durante a lavagem	Verifique se a pressão da água está muito baixa Endireite o cano de água Verifique se o filtro da válvula de entrada está bloqueado
E21	Drenagem de água fora do tempo	Verifique se a mangueira de drenagem está bloqueada
E12	Transbordamento de água	Reinicie a máquina de lavar
EXX	Outros	Por favor, tente novamente primeiro, chame a linha de serviço se ainda houver problemas

## Note!

- Após a verificação, ative o aparelho. Se o problema ocorrer ou o display mostrar outros códigos de alarme novamente, entre em contato com a assistência técnica.

## ■ Technical Specifications

MAX.Current	10A
Standard Water Pressure	0.05MPa~1MPa



Model	WT6508.0v
Power Supply	220-240V~,50Hz
Washing Capacity	8.0kg
Drying Capacity	6.0kg
Dimension(W*D*H)	595*540*825
Weight	64kg
Rated Power	1900W
Drying Power	1300W

# MAINTENANCES

Supplier's name or trade mark<sup>(a)</sup> <sup>(d)</sup>:

Supplier's address<sup>(a)</sup> <sup>(d)</sup>:

Model identifier<sup>(a)</sup>: WT6508.0V

**General product parameters:**

Parameter	Value		Parameter	Value	
Rated capacity (kg)	Rated capacity <sup>(c)</sup>	6.0	Dimensions in cm <sup>(b)</sup> <sup>(d)</sup>	Height	83
	Rated washing capacity <sup>(b)</sup>	8.0		Width	60
				Depth	54
Energy Efficiency Index	EEI <sub>w</sub> <sup>(b)</sup>	60.0	Energy efficiency class	EEI <sub>w</sub> <sup>(b)</sup>	B <sup>(c)</sup>
	EEI <sub>WD</sub> <sup>(c)</sup>	78.4		EEI <sub>WD</sub> <sup>(c)</sup>	E <sup>(c)</sup>
Washing efficiency index	I <sub>w</sub> <sup>(b)</sup>	1.031	Rinsing effectiveness (g/kg dry textile)	I <sub>R</sub> <sup>(b)</sup>	5.0
	J <sub>w</sub> <sup>(c)</sup>	1.031		J <sub>R</sub> <sup>(c)</sup>	5.0
Energy consumption in kWh per kg per cycle, for the washing cycle of the household washer-dryer, using the eco 40-60 programme at a combination of full and partial loads. Actual energy consumption will depend on how the appliance is used	0.545		Energy consumption in kWh per kg per cycle, for the wash and dry cycle of the household washer-dryer at a combination of full and half loads. Actual energy consumption will depend on how the appliance is used	3.600	
Water consumption in litre per cycle, for the eco 40-60 programme at a combination of full and partial loads. Actual water consumption will depend on how the appliance is used and on the hardness of the water	48		Water consumption in litre per cycle, for the wash and dry cycle of the household washer-dryer at a combination of full and half loads. Actual water consumption will depend on how the appliance is used and on the hardness of the water	90	
Maximum temperature inside the treated textile (°C) for the washing cycle of the household washer- dryer, using the eco 40-60 programme	Rated washing capacity	38	Maximum temperature inside the treated textile (°C) for the washing cycle of the household washer-dryer, using the wash and dry cycle	Rated capacity	39
	Half	38		Half	27
	Quarter	21			
Spin speed (rpm) <sup>(b)</sup>	Rated washing capacity	1400	Weighted remaining moisture content (%) <sup>(b)</sup>	53.9	
	Half	1400			
	Quarter	1400			

# MAINTENANCES

Eco 40-60 programme duration (h:min)	Rated washing capacity	3:38	Spin-drying efficiency class <sup>(b)</sup>	B <sup>(c)</sup>	
	Half	2:48			
	Quarter	2:48			
Airborne acoustical noise emissions during the spinning phase for the eco 40-60 washing cycle at rated washing capacity (dB(A) re 1 pW)	76	wash and dry cycle duration (h:min)	Rated capacity	9:30	
			Half	6:40	
Type	built-in	Airborne acoustical noise emission class for the spinning phase for the eco 40-60 programme at rated washing capacity	B <sup>(c)</sup>		
Off-mode (W) (if applicable)	0.50	Standby mode (W) (if applicable)	1.00		
Delay start (W) (if applicable)	4.00	Networked standby (W) (if applicable)	N/A		

**Minimum duration of the guarantee offered by the supplier <sup>(a)</sup> <sup>(d)</sup>:**

This product has been designed to release silver ions during the washing cycle	NO
--	----

**Additional information<sup>(a)</sup><sup>(d)</sup>:**

Weblink to the supplier's website, where the information in point 9 of Annex II to Regulation (EU) 2019/2023 is found:

- (a) this item shall not be considered relevant for the purposes of Article 2(6) of Regulation (EU) 2017/1369.  
 (b) for the eco 40-60 programme.  
 (c) for the wash and dry cycle.  
 (d) changes to this item shall not be considered relevant for the purposes of paragraph 4 of Article 4 of Regulation (EU) 2017/1369.  
 (e) if the product database automatically generates the definitive content of this cell the supplier shall not enter these data.'



# MAINTENANCES

## Note!

- Configuração do programa para teste de acordo com o padrão aplicável En60456 para lavagem.
- Configuração do programa para teste de acordo com o padrão aplicável En50229 para lavagem e secagem.
- Ao usar os programas de teste, lave a carga especificada usando a velocidade máxima de centrifugação.
- Os parâmetros reais dependerão de como o aplicativo é usado e podem ser diferentes dos parâmetros da tabela mencionada acima.
- A máquina de lavar roupa para uso doméstico está equipada com um sistema de gestão de energia. A duração do modo de funcionamento esquerdo é inferior a 10 minutos.
- As emissões de ruído durante a lavagem / centrifugação para o ciclo de lavagem padrão com carga total.

## Remarks:

A classe de eficiência energética vai de A (maior eficiência) a D (menor eficiência) Consumo de energia por ano, com base em 220 ciclos de lavagem padrão para o programa padrão a 60 ° C e 40 ° C em carga total e parcial, e o consumo do modos de baixo consumo de energia. O consumo real de energia dependerá de como o aparelho é usado.

Consumo de água por ano com base em 220 ciclos de lavagem padrão para o programa padrão a 60 ° C e 40 ° C com carga total e parcial. O consumo real de água dependerá de como o aparelho é usado.

Classe de eficiência da centrifugação de G (menos eficiente) a A (mais eficiente).

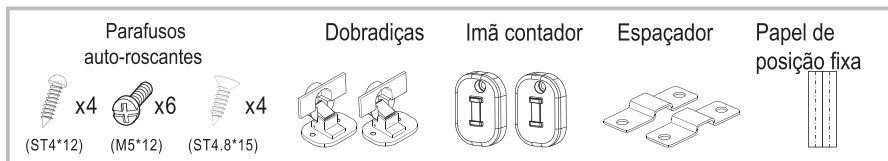
O programa padrão de 60 ° C e o programa padrão de 40 ° C são os programas de lavagem padrão. Estes programas são adequados para limpar roupas de algodão com sujidade normal e são os programas mais eficientes em termos de consumo combinado de energia e água para lavar esse tipo de roupa de algodão. A temperatura real da água pode ser diferente da temperatura do ciclo declarada.

Escolha o tipo de detergente adequado para as várias temperaturas de lavagem para obter o melhor desempenho de lavagem com menos consumo de água e energia.

# MANUTENÇÕES

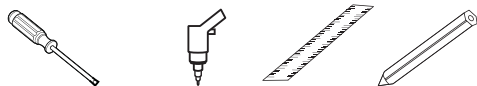
## ■ Instalação embutida

### Appendix

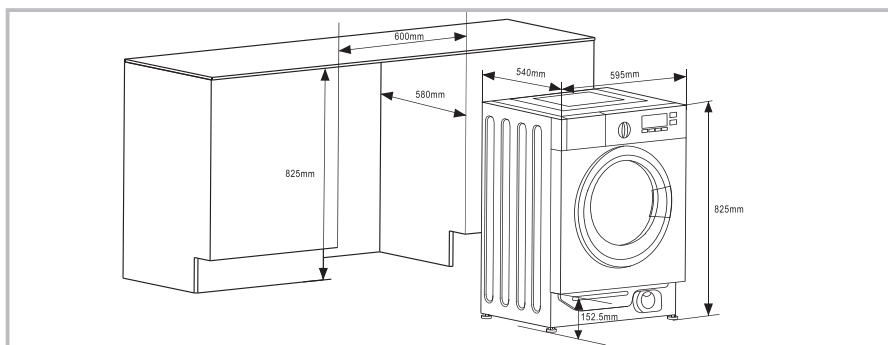


### Ferramenta

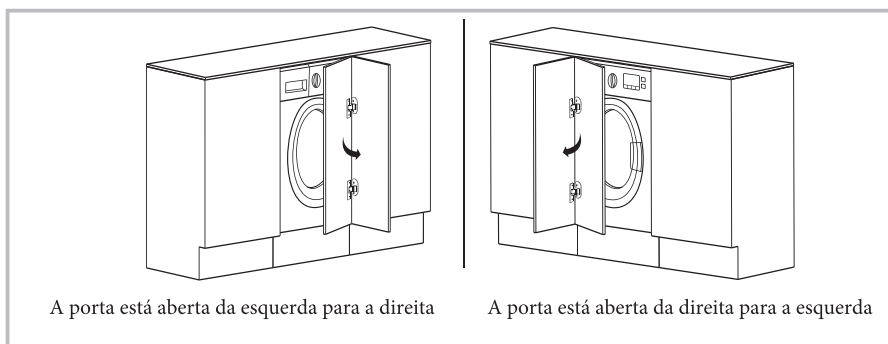
Chave de fenda Chave automática Régua Lápis



### Etapas de instalação

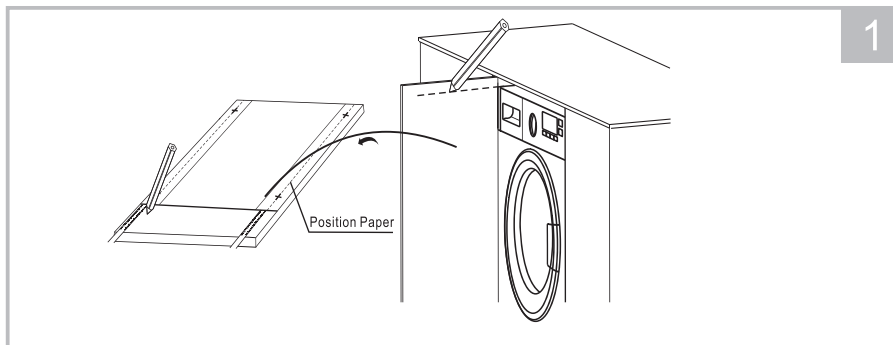


### Visão geral

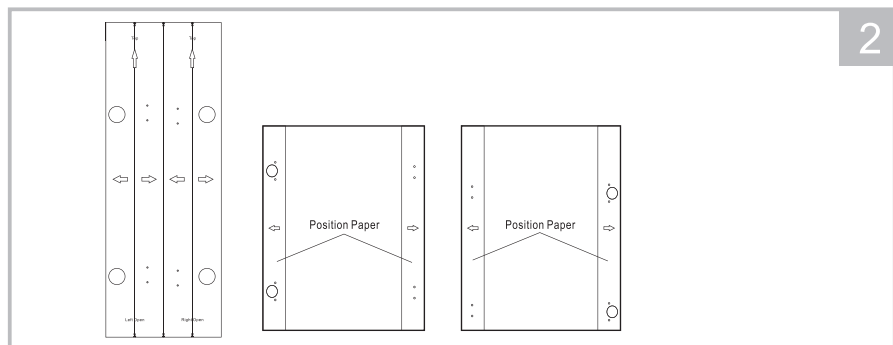


### Preparação e montagem da porta

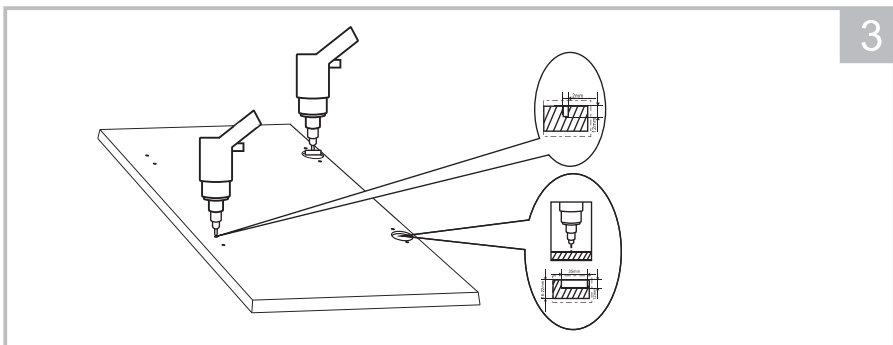
# MANUTENÇÕES



Faça a marca na porta

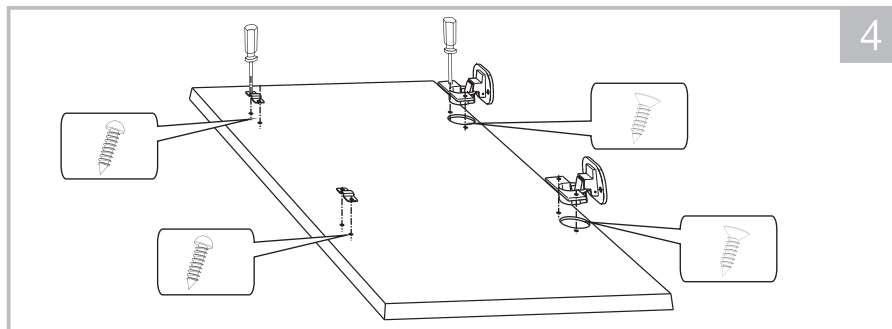


Papel de posição fixa na porta.

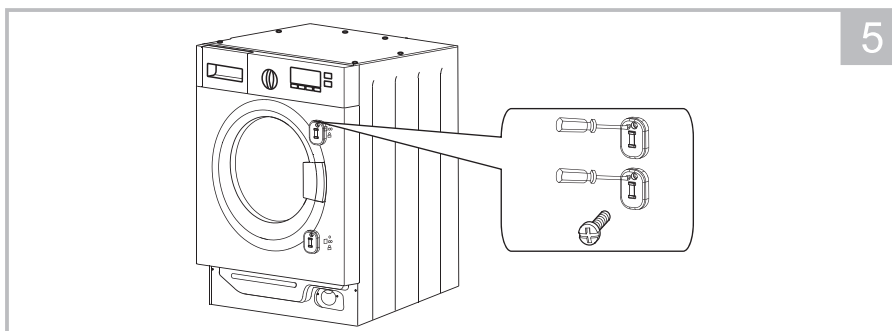


Faça um furo na porta

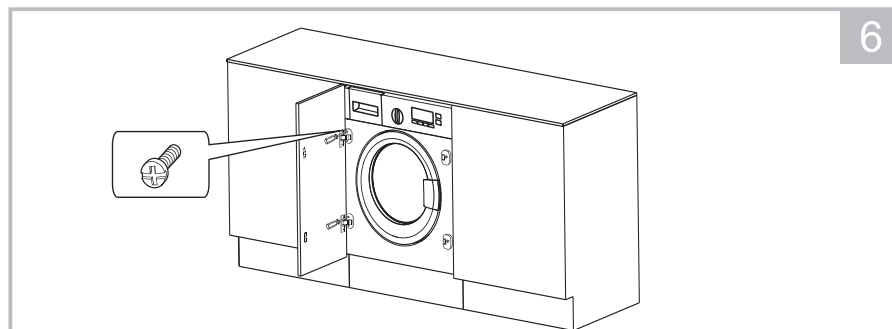
# MANUTENÇÕES



Instalação das dobradiças e espaçador



Instalação do ímã contrário



Instalação da porta

## ⚠ Warning!

- Ao instalar o aparelho na cozinha, certifique-se de que os móveis, se possível, as mangueiras são colocadas em uma das duas reentrâncias na parte traseira do aparelho. Isso ajudará a evitar que as mangueiras fiquem dobradas ou presas.

# Küppersbusch

**Küppersbusch Hausgeräte GmbH**

Postfach 10 01 32, D-45801 Gelsenkirchen,  
Küppersbuschstraße 2, D-45883 Gelsenkirchen  
Telefon: (0209) 401-0, Telefax: (0209) 401-303  
[www.kueppersbusch-home.com](http://www.kueppersbusch-home.com)