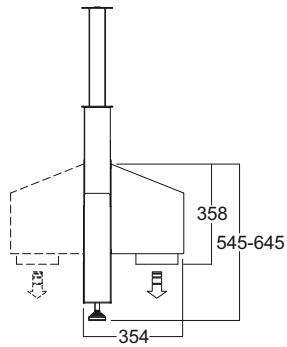
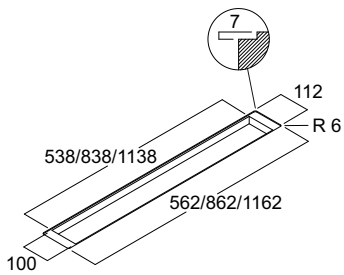
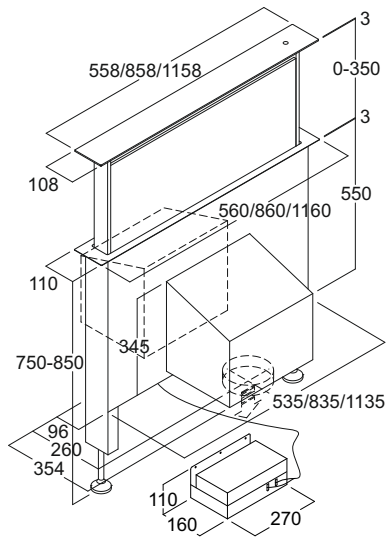
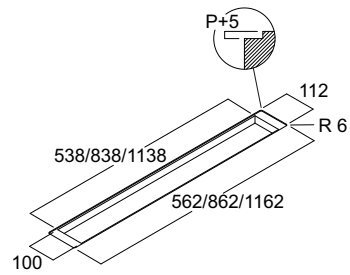
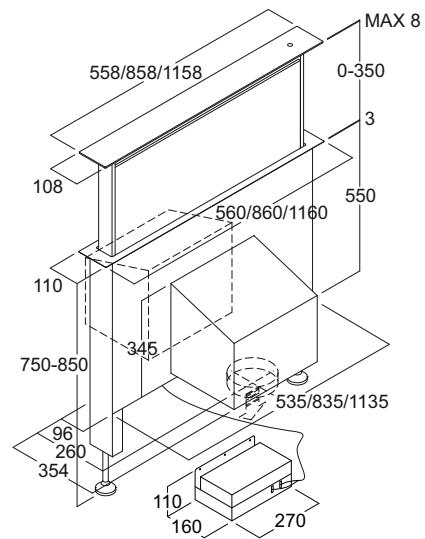


Newton



VERSIONE PANNELLABILE VERSION TO BE PANELLED



Pannello superiore Top panel

P = MAX 8 MM

