

Mixer Tap Margot

Mixer Taps

Code: 8524 000



DETAILS

Mixer type Single-lever mixer tap with rotating, collapsible barrel (Up&Down)

Material Brass

Texture Chromed

Cartridge With ceramic discs

Mixer hole $\varnothing 35$ mm

Strengthening plate $\varnothing 55$ mm

Max worktop thickness 70 mm

Rotating angle 360°

FEATURES

COLLAPSIBILE BARREL

Feature that makes it possible to foresee the sink in front of a window, so as to enjoy the natural light.

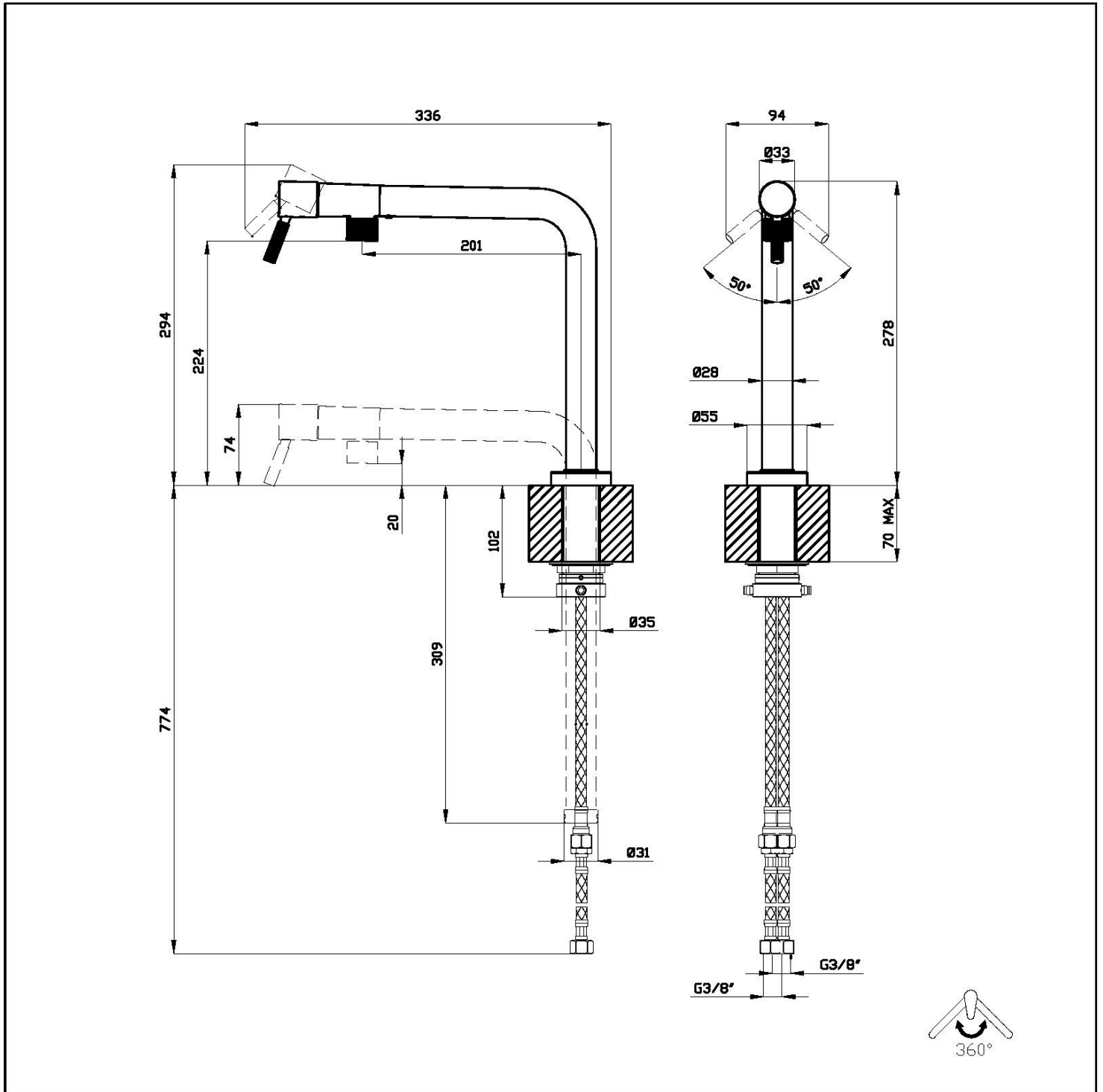
Rotating angle

All the taps have a wide angle of rotation. Some models even permit a full 360° rotation.

Strengthening plate

Foster's mixer taps are equipped with the strengthening plate that offers perfect stability on any sink.

TECHNICAL DATA



GALLERY

